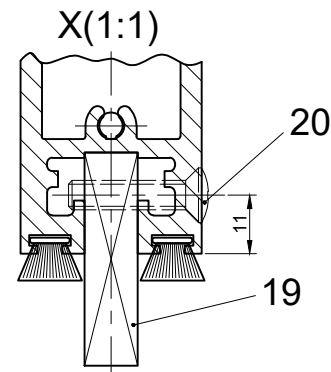


Variante II u. IV mit durchgehender Bodenführung



Dimension X: See installation instructions of the drive

4	4	4	4	Cover	.	21	.
4	.	4	.	Linsensschraube	M5x25	20	.
2	.	2	.	Floor guide glider	.	19	419233
1	1	1	1	Lateral column profile	FH	18	419243
1	1	1	1	Side seal	FH	17	401422
1	1	1	1	Glass	GBxGH	16	.
2	2	2	2	Brush seal	L1+30	15	329217
2	2	.	.	6kt-Mu ISO 7040- M10	.	14	.
.	.	2	2	6kt-Mu ISO 7040- M8	.	13	.
2	2	.	.	Sch ISO 7089 - 10 - 200HV	.	12	.
.	.	2	2	Sch ISO 7089 - 8 - 200HV	.	11	.
2	2	.	.	Gew-Sti ISO 7434-M10x40 1.4301	.	10	.
.	.	2	2	Gew-Sti ISO 7434-M8x40 1.4301	.	9	.
2	2	.	.	Nutenstein M10	7x18x40	8	343290
.	.	2	2	Nutenstein M8	7x18x40	7	343291
8	8	8	8	Gew furch Senkschraube	4.8x38	6	419236
10	10	10	10	Hard wood wedge (gl.sup)	4x7x100	5	419221
1	1	1	1	Silikon	.	4	.
1	1	1	1	E-Profil	FH	3	401412 403676 403725 403726
1	1	1	1	Profile f. centre seal	FH	2	401405 403674 403721 403722
2	2	2	2	Door shoe profile	L1	1	400646 403675 403723 403724
Pc.	Pc.	Pc.	Pc.	Naming	Dimensions	Pos.	TID
IV	III	II	I	Leaf width	FB =		
Sliding leaf 2401 (TXP)	Sliding leaf 2401 (TXP)	Sliding leaf 2401 (TXP)	Sliding leaf 2401 (TXP)	Leaf height	FH =		
				Glass height	GH = FH-124		
				Glass width	GB = FB-38		
				Viewing height	L2 = FH-146		
				Viewing width	L1 = FB-60		

The door leaves must be made from material which do not bear any potential risk of injury in any case of breakage (for example single sheet toughened safety glass, compound safety glass etc.). Transparent door leaves must be clearly labelled to be recognised as such.

Anodize/color: layer thickness: Additional info:  
RAL :

Object:

Customer:

Order-Nr.: Date: Releasesignatur:

Glass thickness 26 mm / max. 200kg Scale % Drawn 08.04.2024 MURO ok to print

Operator: Profilsystem Execution

Sliding sash LR22B Telescopic slow, butt, wet glazed

TORMAX AUTOMATIC TORMAX a Division of LANDERT Group AG CH-8180 Bulach-Zurich Document number: T3\_390\_229 Index