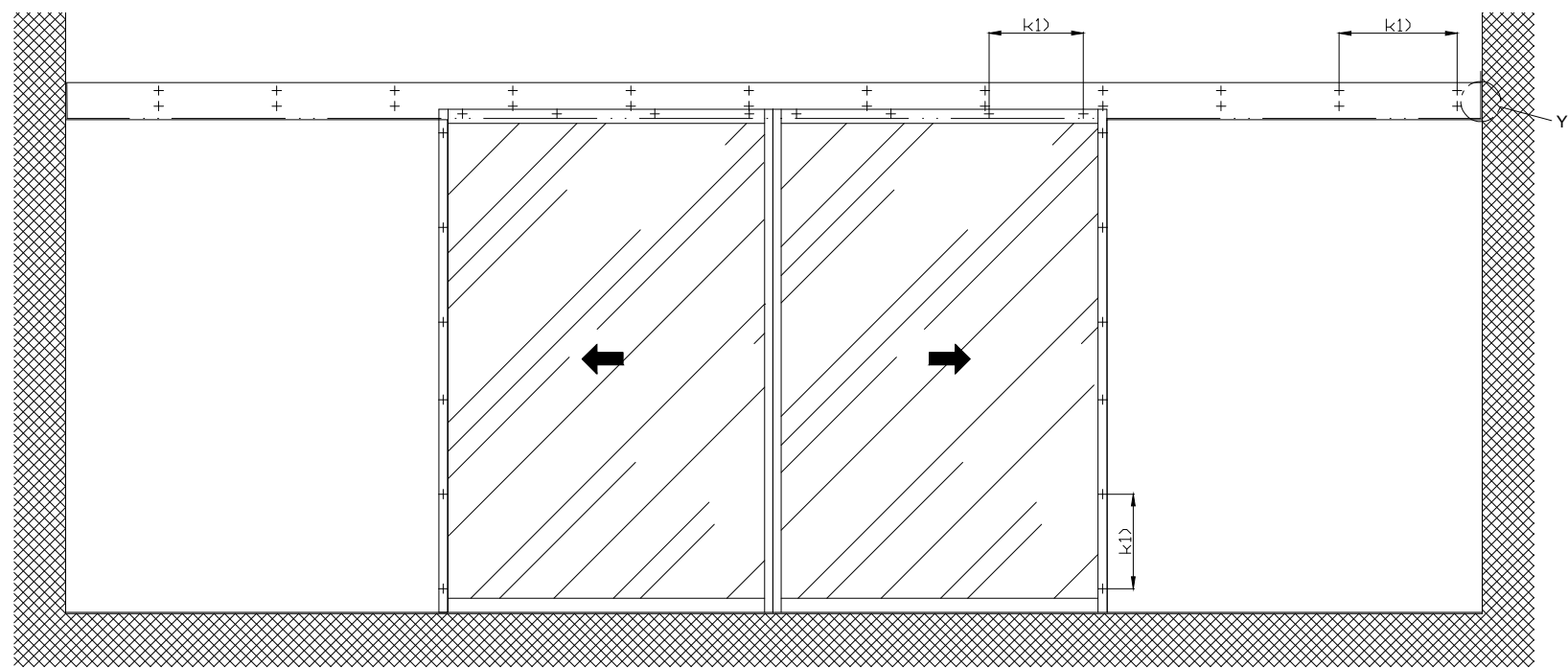
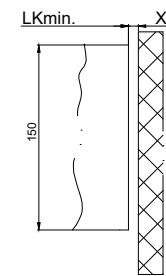


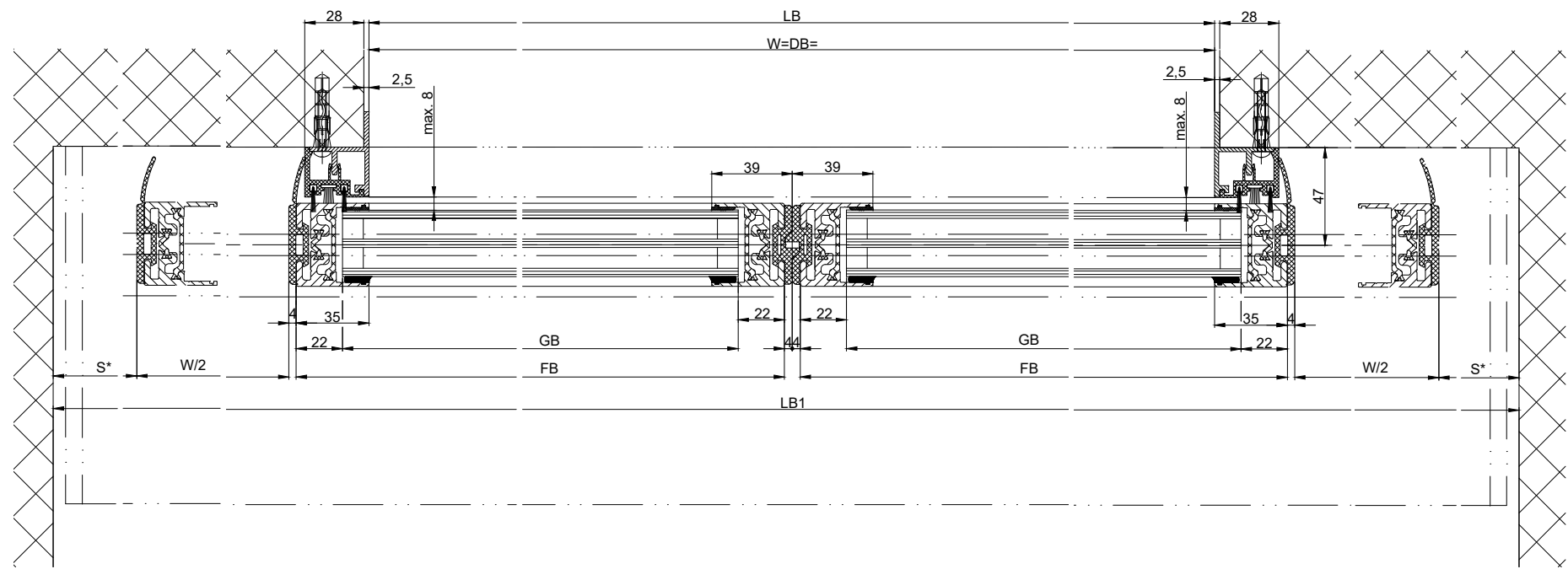
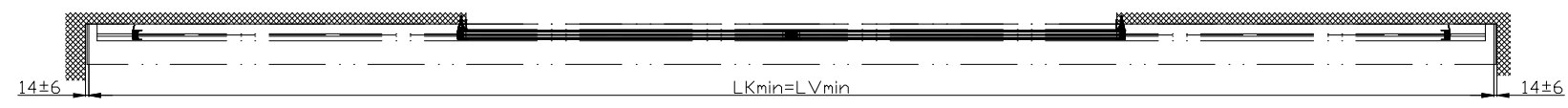
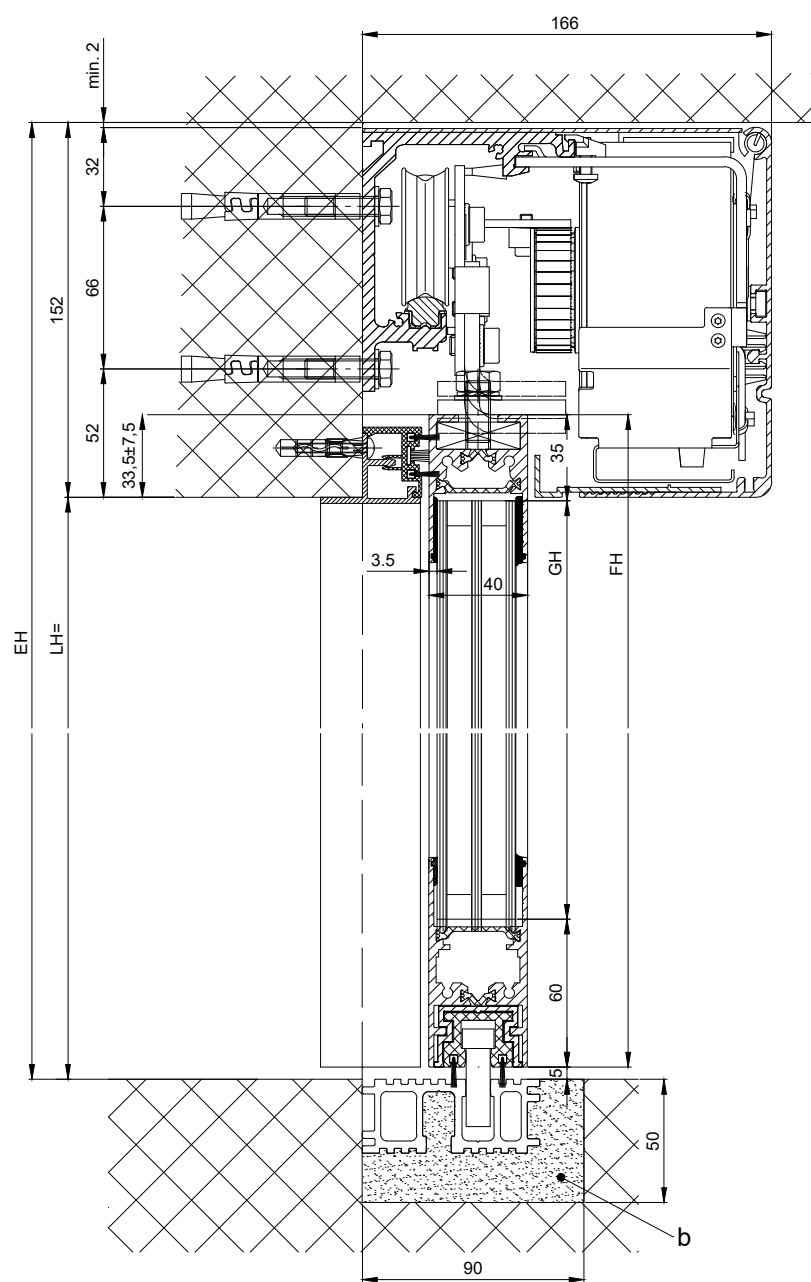
1:20



Detail Y



Wall clearance without side plate  
x=min.8  
Note: Wall clearance with side plate  
x=min.80



b) By others

k1) Select the distance/type and number of fasteners according to the building structure and required load-bearing capacity.

The door leaves must be made from material which do not bear any potential risk of injury in any case of breakage (for example single sheet toughened safety glass, compound safety glass etc.). Transparent door leaves must be clearly labelled to be recognised as such.

\* Safety margin according to national regulation  
\*\* Light barriers according to national regulation  
Anodize/color: \_\_\_\_\_ layer thickness: \_\_\_\_\_ Additional info: \_\_\_\_\_  
RAL: \_\_\_\_\_

LB1=2W+2S+78
W=(LB1-2S-78)/2
LVmin=LB1-28
LKmin=LVmin
FB=W/2+31
GB=FB-44
FH=LH+28.5
GH=FB-95

Object: \_\_\_\_\_  
Customer: \_\_\_\_\_  
Order-Nr.: \_\_\_\_\_ Date: \_\_\_\_\_ Releasesignatur: \_\_\_\_\_  
Scale: \_\_\_\_\_ Drawn: \_\_\_\_\_ 20.11.2023 MUR  
% ok to print

Operator: Profilsystem Execution  
iMotion 2302-EB LR32THERM without fixed panels  
TORMAX TORMAX a Division of LANDERT Group AG CH-8180 Bulach-Zurich  
Document number: T3\_390\_711 Index B