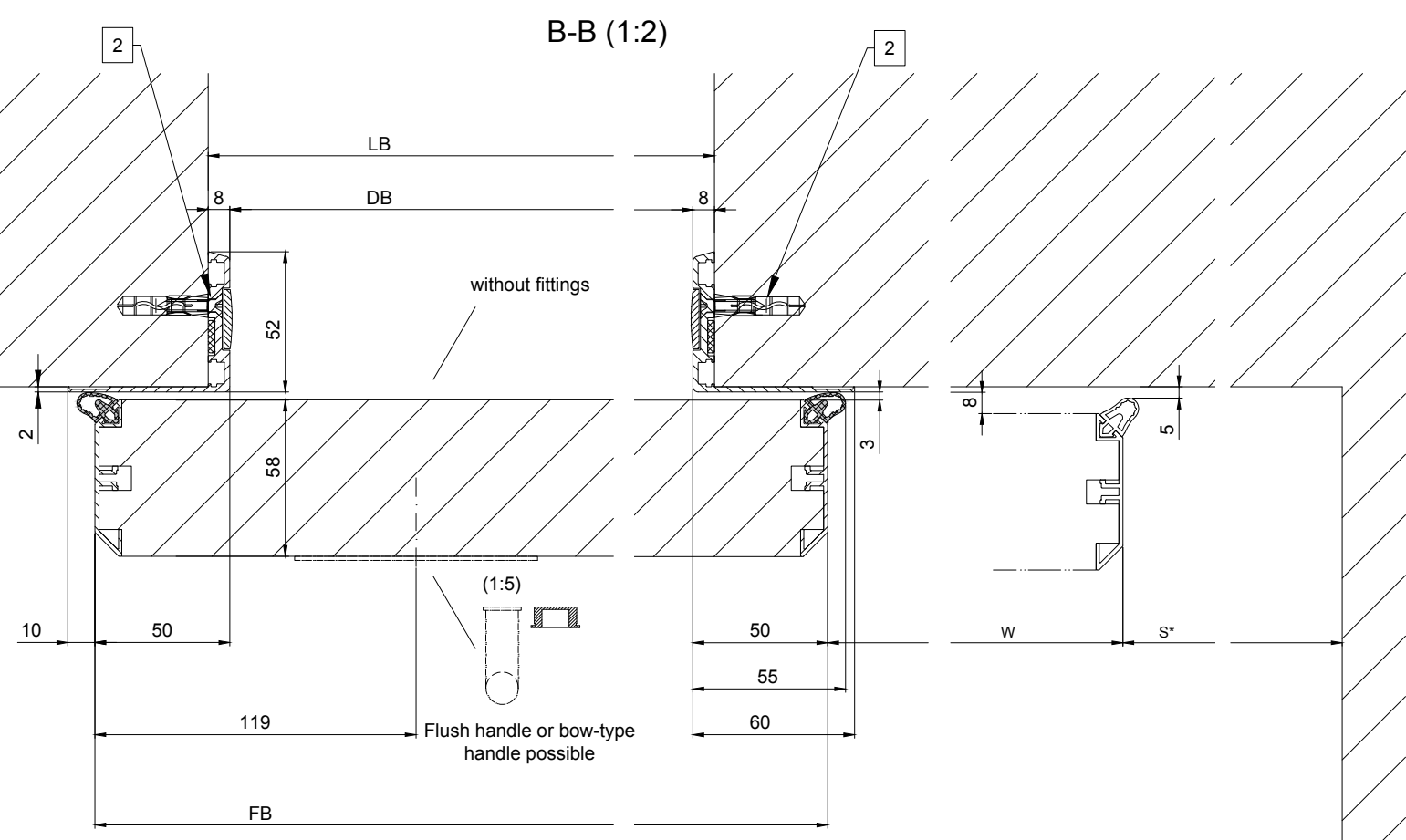
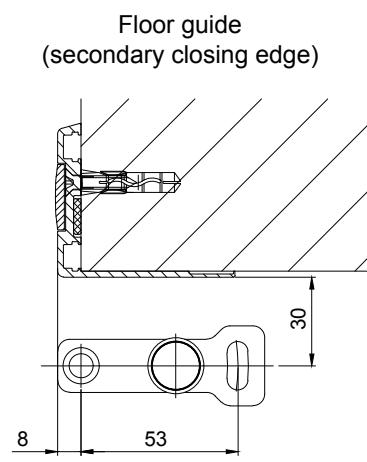
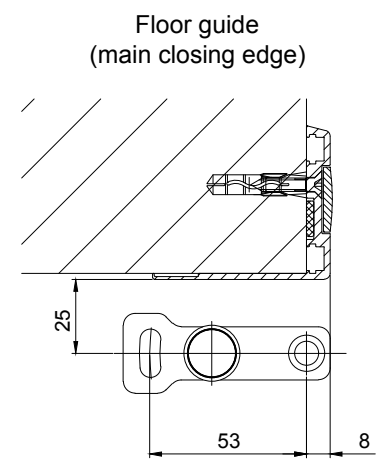
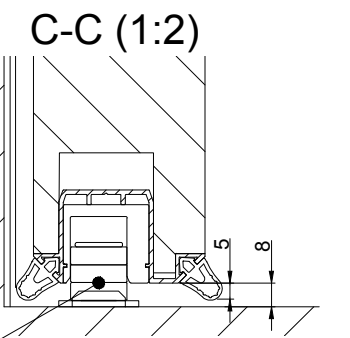
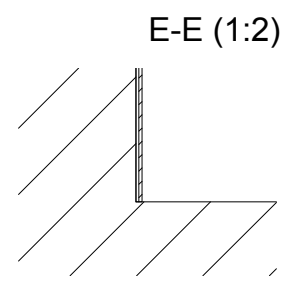
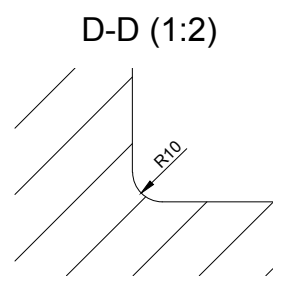
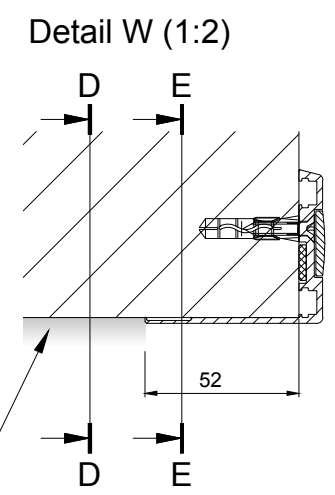
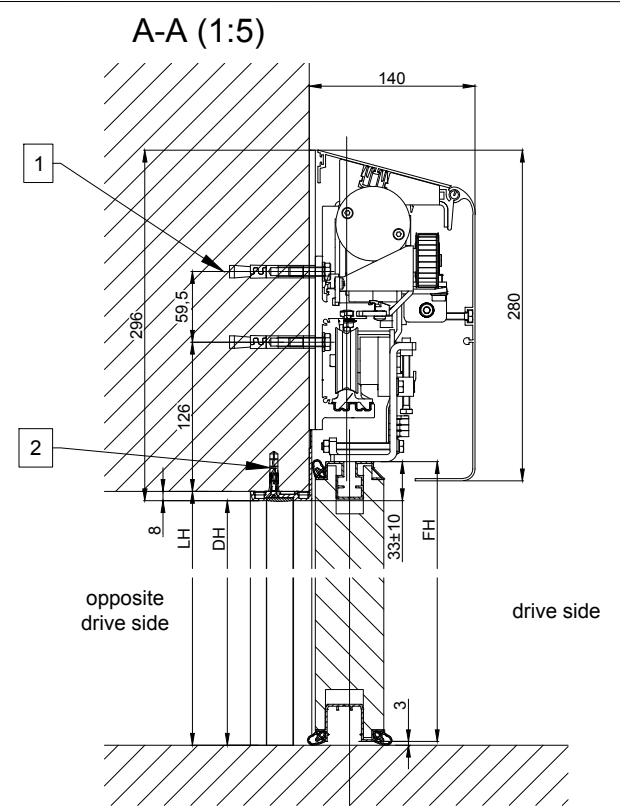
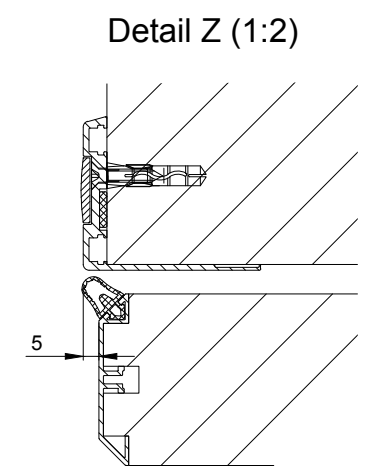
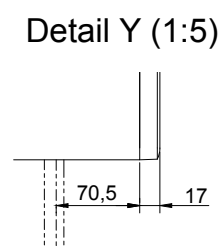
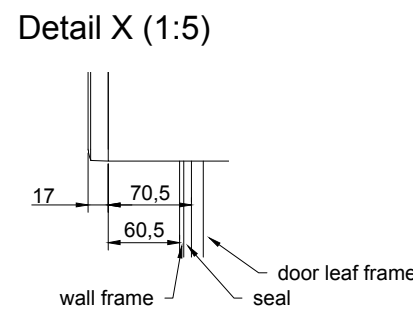
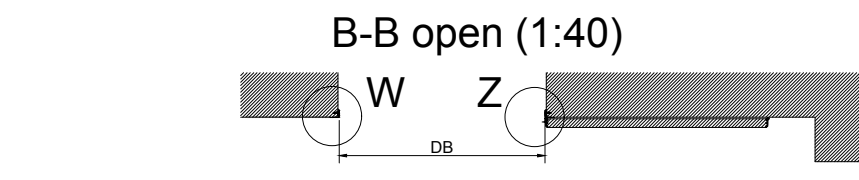


max. unevenness floor 1mm/m
max. deviation floor horizontal 1mm/m
and 2.5mm/entire doorpath



- Preconditions for underground**
- Reinforced concrete, wall thickness min. 100mm, quality min. C12/15 (B15)
 - Masonry wall thickness min. 115mm, DFK ≥ 12, min. MG II / DM
 - Aerated concrete, wall thickness min. 170mm, DFK ≥ 4, glued

Fastenings		
Position	Description	Distance between fastenings
1	High performance anchor HL-S (SZ-S)	600mm
	ISO 7089-6-200 HV-A4	
	ISO 4017 M8x30-8.8	
2	DIN 7997 4.5x24	300mm
	Expansion anchor S6	

W	opening width
LB	wall opening width
LH	wall opening height
DB	clear opening width
DH	clear opening height
FB	door leaf width
FH	door leaf height
LKmin	Headerprofil min. length
LVmin	Cladding min. length

W = DB+55
DB = LB-16
DH = LH-8
LKmin=DBx2+296
LVmin=LKmin
FB=DB+(2x50)
FH=DH+30

Door systems without fittings on the opposite drive side
Door leaf thickness 58 mm

* Safety margin according to national regulation

Anodize/color: layer thickness: _____ Additional info: _____
RAL: _____

Object: _____

Customer: _____

Order-Nr.: _____ Date: _____ Release signatur: _____

Operator typ: Profilsystem Execution
2353.HERM/2453.HERM ER without fittings - 58 mm

Scale: _____ Drawn: 25.02.2020 MURO
% ok to print

Document number: T3-390-648 Index: A