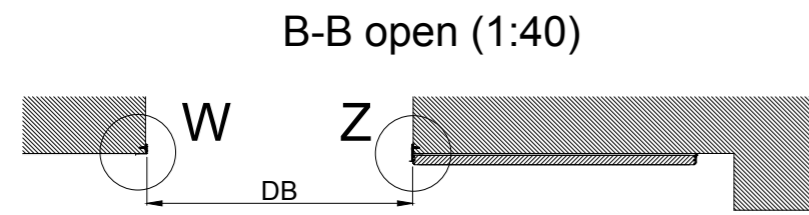
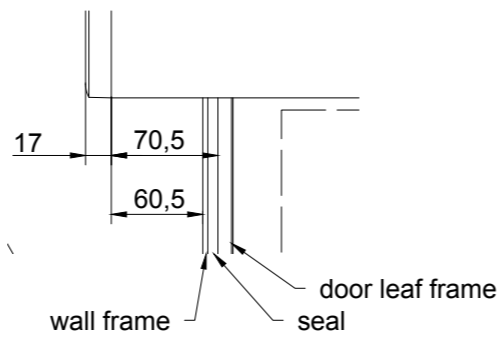


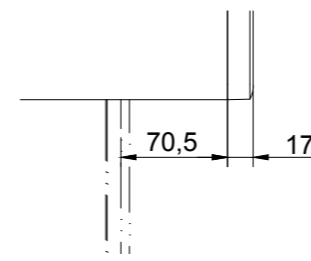
max. uneveness floor 1mm/m
max. deviation floor horizontal 1mm/m
and 2.5mm/entire doorpath



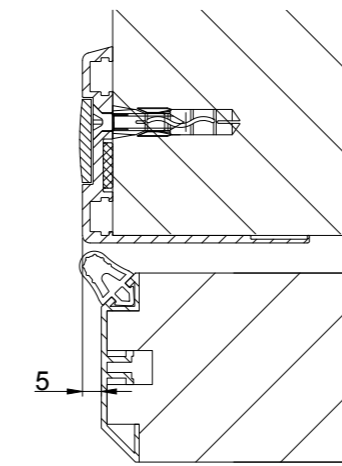
Detail X (1:5)



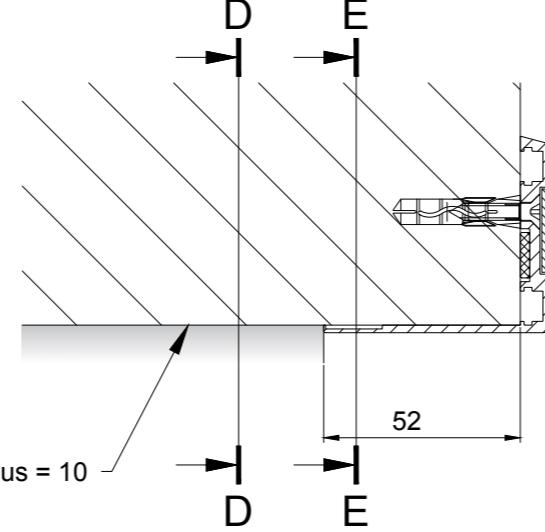
Detail Y (1:5)



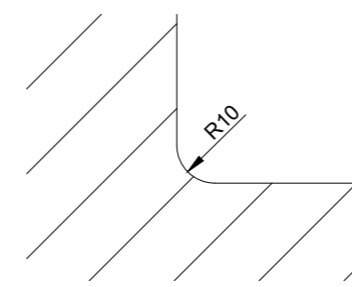
Detail Z (1:2)



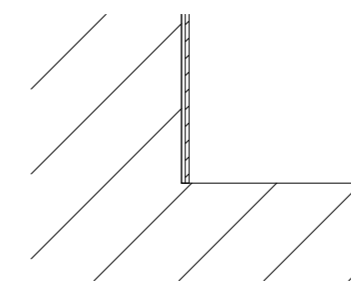
Detail W (1:2)



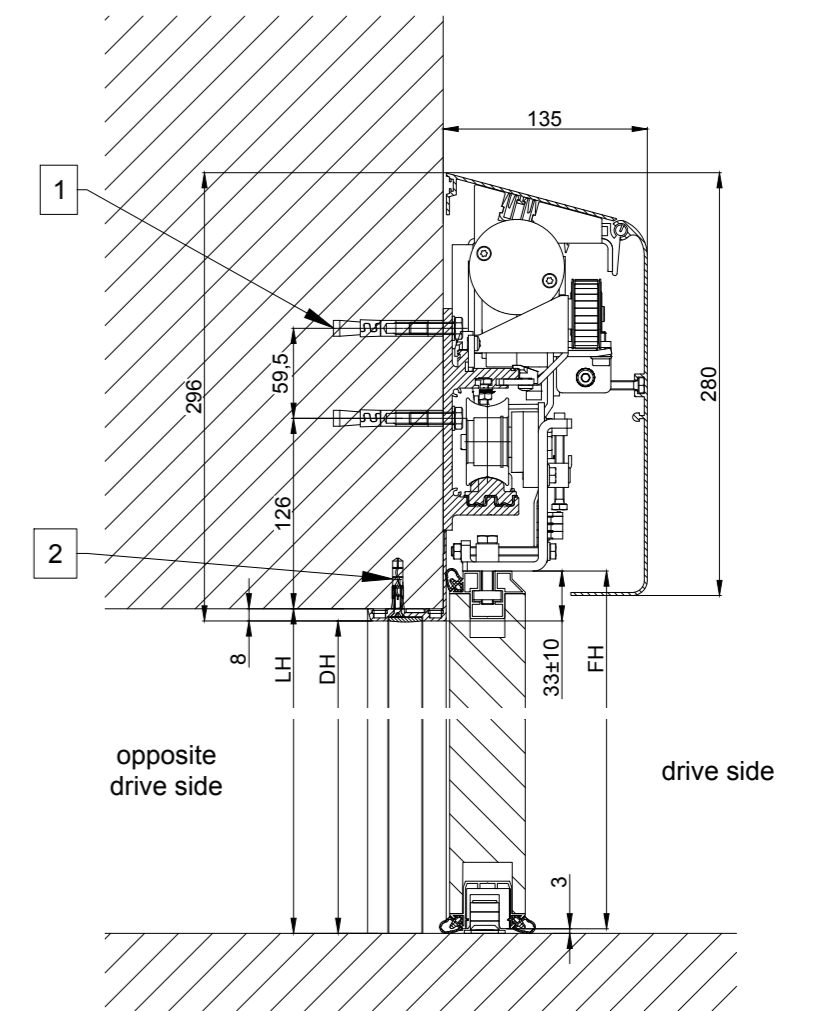
D-D (1:2)



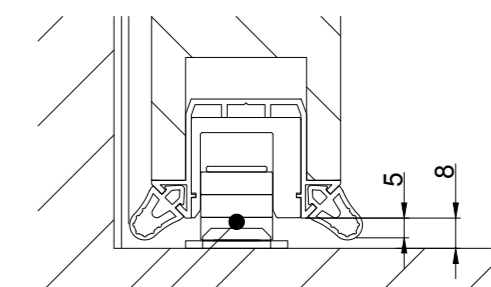
E-E (1:2)



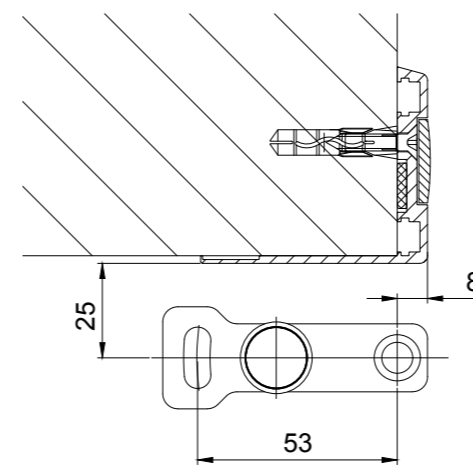
A-A (1:5)



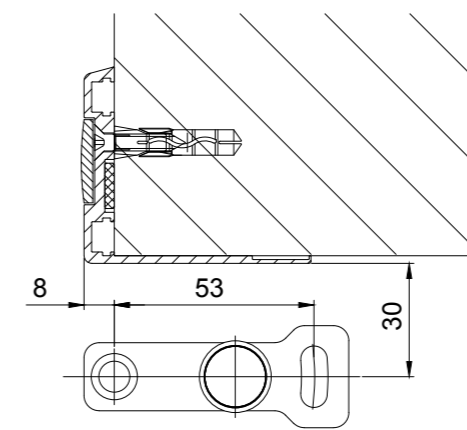
C-C (1:2)



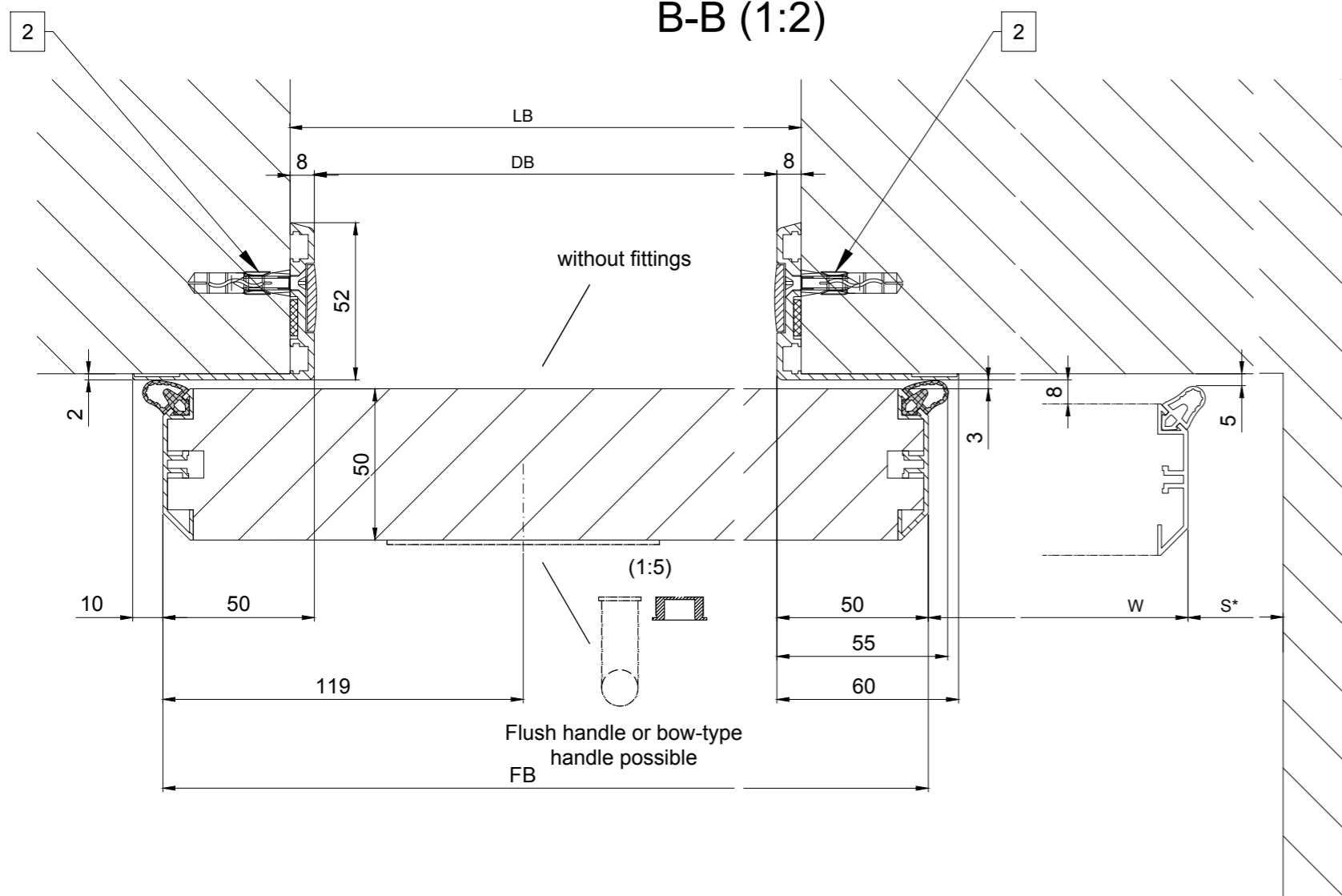
Floor guide (main closing edge)



Floor guide (secondary closing edge)



B-B (1:2)



Preconditions for underground

- Reinforced concrete, wall thickness min. 100mm, quality min. C12/15 (B15)
- Masonry, wall thickness min. 115mm, DFK ≥ 12, min. MG II / DM
- Aerated concrete, wall thickness min. 170mm, DFK ≥ 24, glued

Fastenings		
Position	Description	Distance between fastenings
1	High performance anchor HL-S (SZ-S)	600mm
	ISO 7089-6-200 HV-A4	
	ISO 4017 M8x30-8.8	
2	DIN 7997 4.5x24	300mm
	Expansion anchor S6	

Door systems without fittings on the opposite drive side
Door leaf thickness 50 mm

W = opening width	LB = wall opening width	LH = wall opening height	DB = clear opening width	DH = clear opening height	FB = door leaf width	FH = door leaf height	LKmin = Headerprofil min. length	LVmin = Cladding min. length
W = DB+55	DB = LB-16	DH = LH-8	LKmin = DBx2+296	LVmin = LKmin	FB = DB+(2x50)	FH = DH+30		

* Safety margin according to national regulation

Anodize/color: layer thickness: _____ Additional info: _____
RAL: _____

Object: _____
Customer: _____

Order-Nr.: _____ Date: _____ Release signatur: _____

Operator type: Profilsystem Execution
2353.HERM/ 2453.HERM ER without fittings - 50 mm

Scale: _____ Drawn: 26/02/2000 MURD
% ok to print: _____

Document number: **T3_390_652** Index: _____

TORMAX TORMAX a Division of LANDERT Group AG
CH-8180 Bülach-Zürich