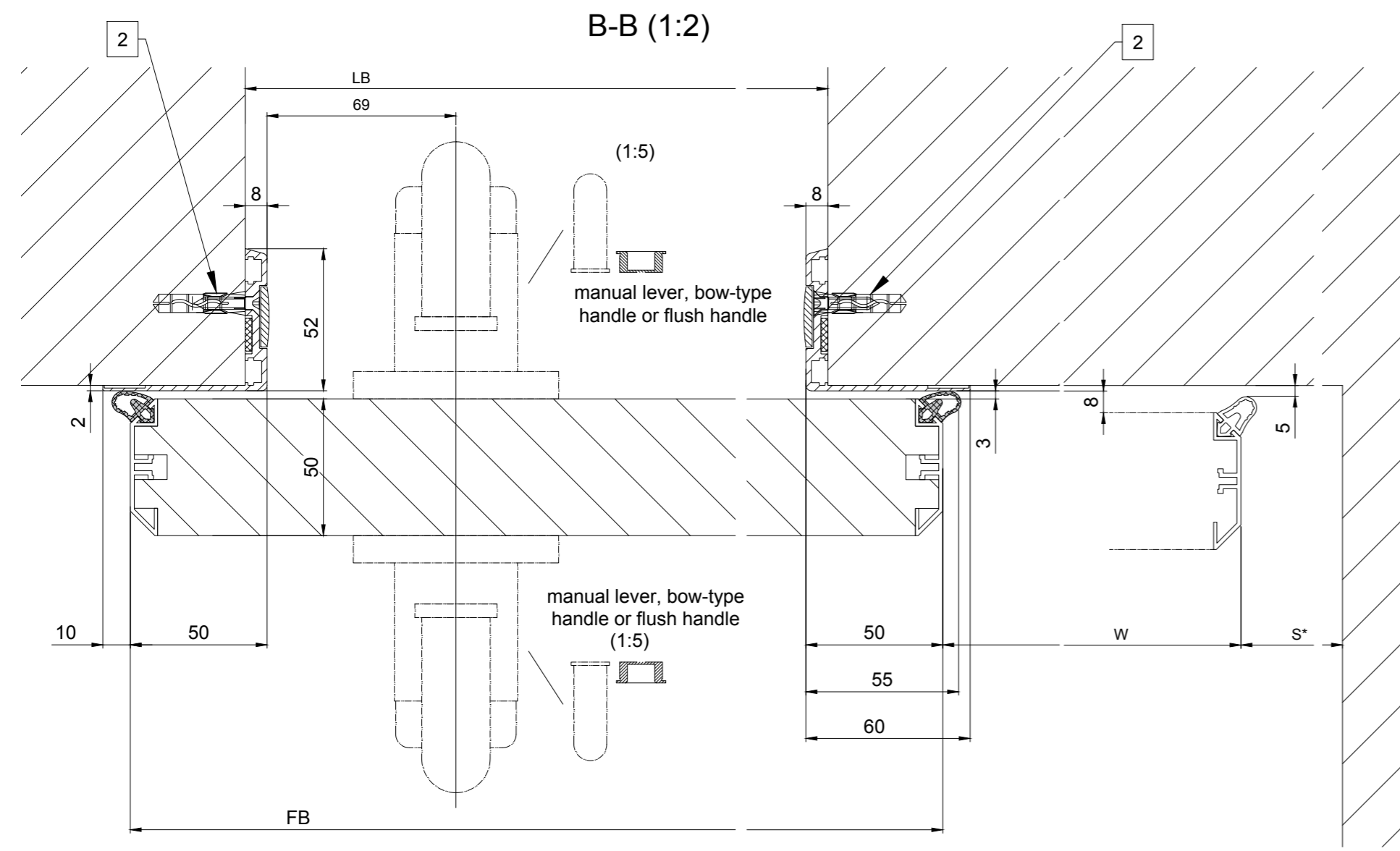
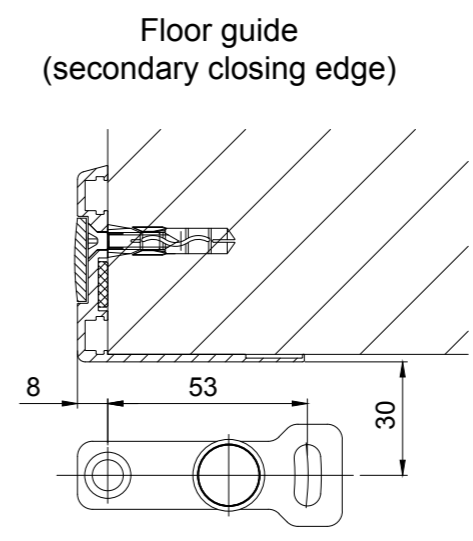
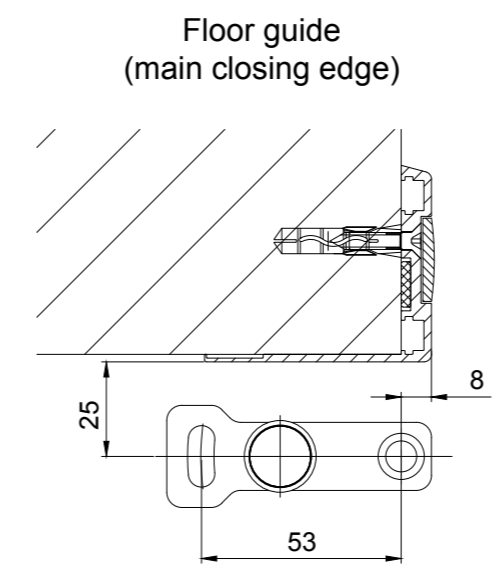
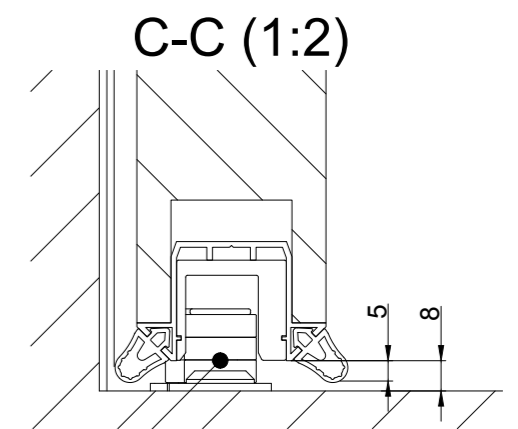
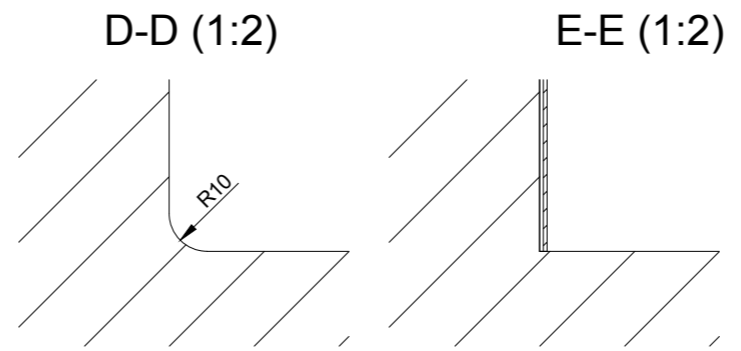
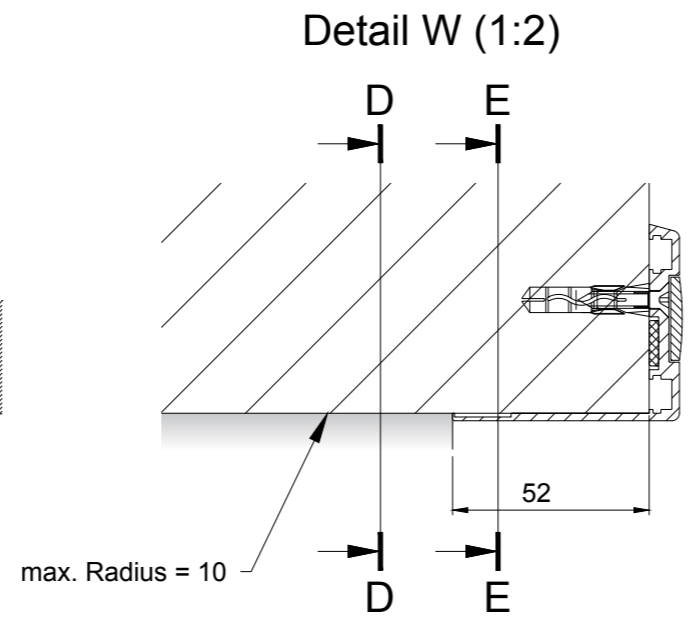
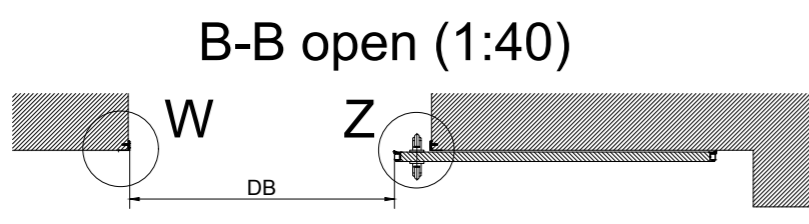


max. uneveness floor 1mm/m  
max. deviation floor horizontal 1mm/m  
and 2.5mm/entire doorpath



- Preconditions for underground**
- Reinforced concrete, wall thickness min. 100mm, quality min. C12/15 (B15)
  - Masonry, wall thickness min. 115mm, DFK ≥ 12, min. MG II / DM
  - Aerated concrete, wall thickness min. 170mm, DFK ≥ 4, glued

Fastenings		
Position	Description	Distance between fastenings
1	High performance anchor HL-S (SZ-S)	600mm
	ISO 7089-6-200 HV-A4 ISO 4017 M8x30-8.8	
2	DIN 7997 4.5x24 Expansion anchor S6	300mm

**Door systems with fittings on the opposite drive side**  
**Door leaf thickness 50 mm**

W = opening width  
LB = wall opening width  
LH = wall opening height  
DB = clear opening width  
DH = clear opening height  
FB = door leaf width  
FH = door leaf height  
LKmin = Headerprofil min. length  
LVmin = Cladding min. length

\* Safety margin according to national regulation

Anodize/color: layer thickness: Additional info:  
RAL

Object:  
Customer:

Order-Nr.: Date: Release signatur:

Scale: Drawn: 26.02.2020 MURD  
% ok to print

Operator: Profilsystem Execution  
2353.HERM / 2453.HERM ER with fittings - 50 mm

TORMAX a Division of LANDERT Group AG  
CH-8180 Bülach-Zürich

Document number: T3\_390\_654