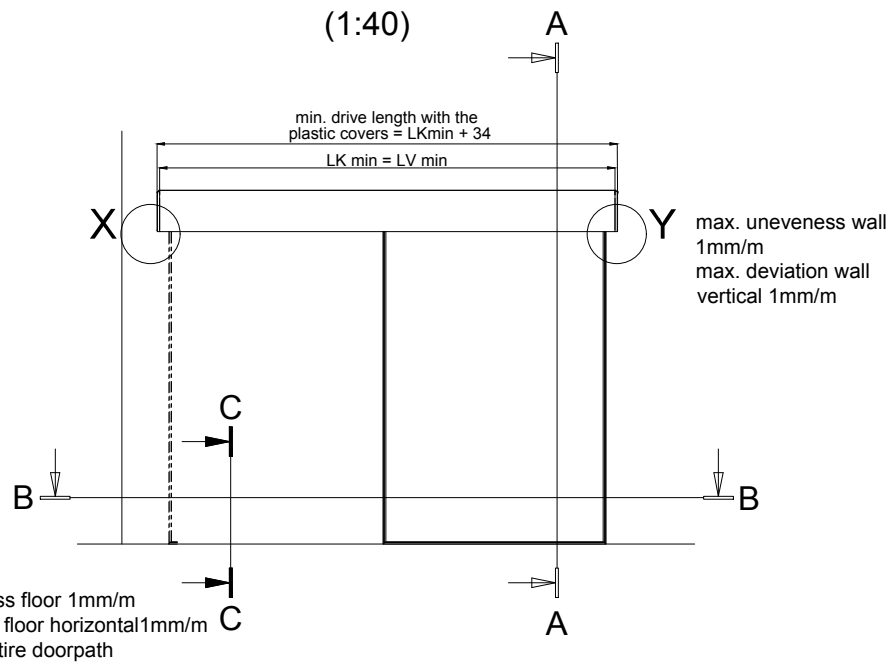
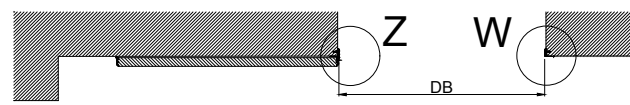


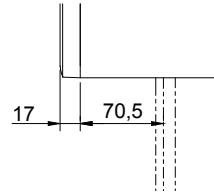
(1:40)



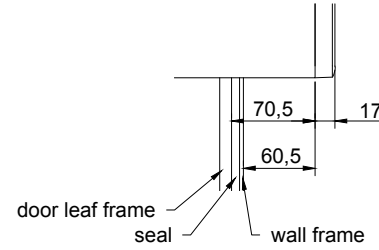
B-B open (1:40)



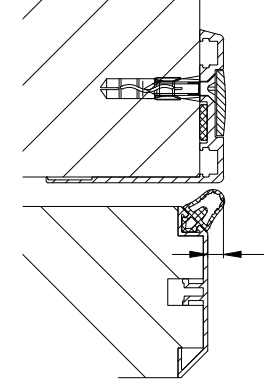
Detail X (1:5)



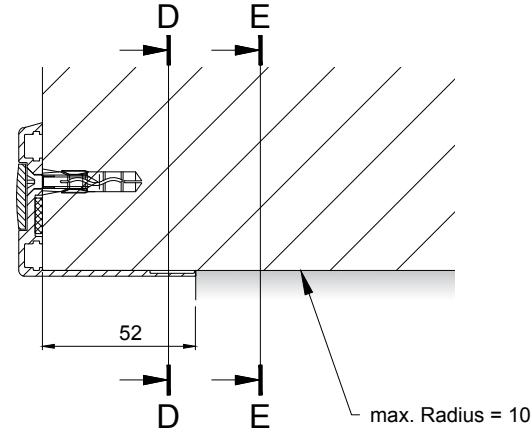
Detail Y (1:5)



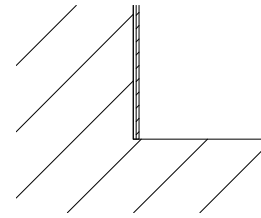
Detail Z (1:2)



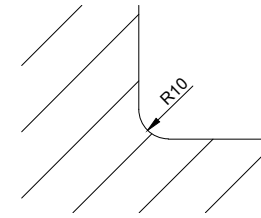
Detail W (1:2)



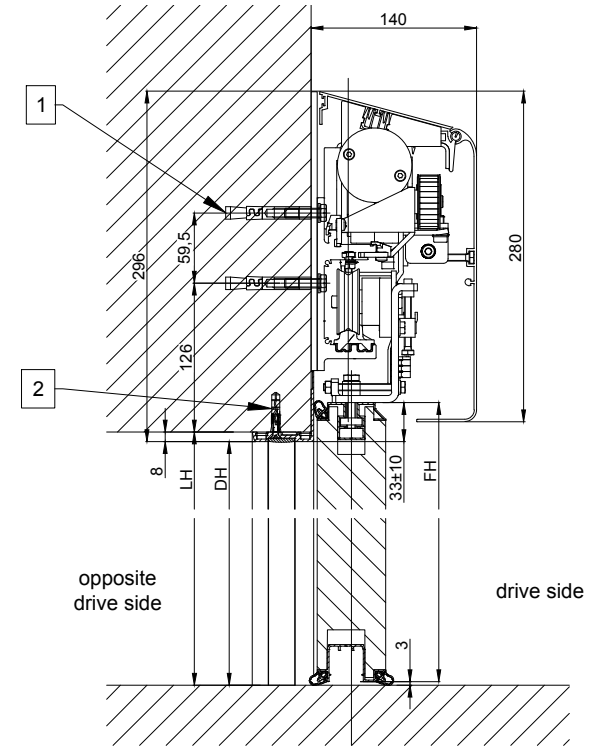
D-D(1:2)



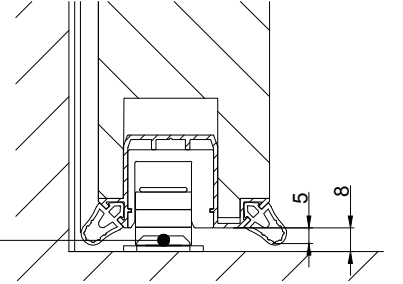
E-E(1:2)



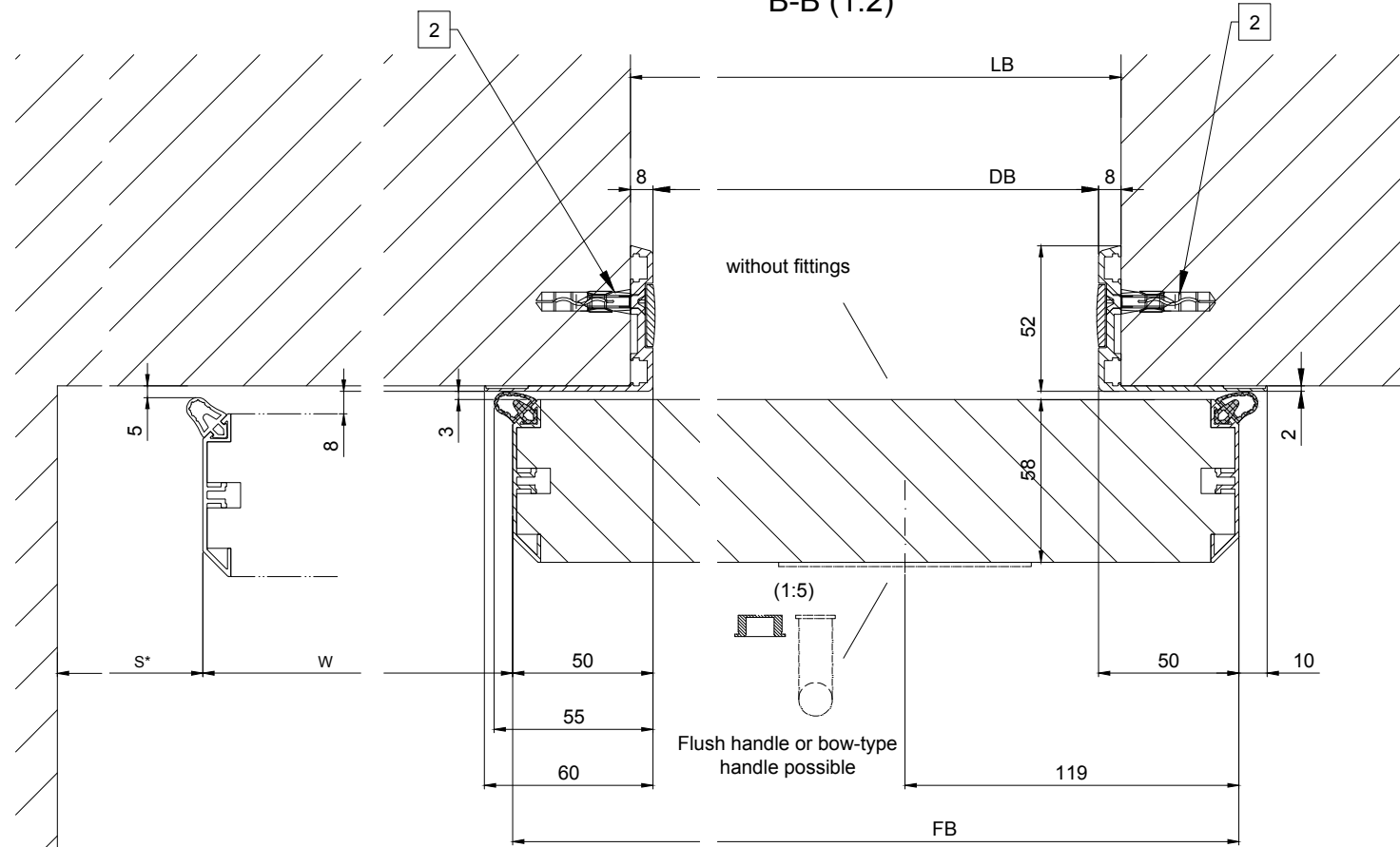
A-A (1:5)



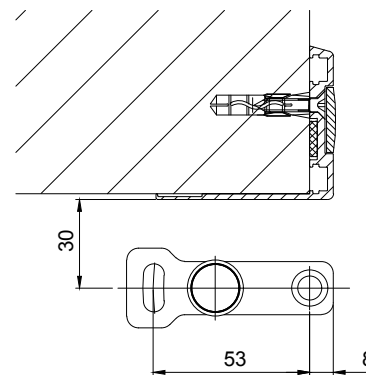
C-C (1:2)



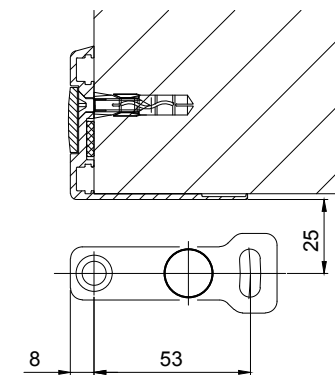
B-B (1:2)



Floor guide (secondary closing edge)



Floor guide (main closing edge)



Preconditions for underground

- Reinforced concrete, wall thickness min. 100mm, quality min. C12/15 (B15)
- Masonry, wall thickness min. 115mm, DFK ≥ 12, min. MG II / DM
- Aerated concrete, wall thickness min. 170mm, DFK ≥ 4, glued

Fastenings

Position	Description	Distance between fastenings
1	High performance anchor HL-S (SZ-S)	600mm
	ISO 7089-6-200 HV-A4	
	ISO 4017 M8x30-8.8	
2	DIN 7997 4.5x24	300mm
	Expansion anchor S6	

Door systems without fittings on the opposite drive side  
Door leaf thickness 58 mm

W	opening width
LB	wall opening width
LH	wall opening height
DB	clear opening width
DH	clear opening height
FB	door leaf width
FH	door leaf height
LKmin	Headerprofil min. length
LVmin	Cladding min. length

W = DB+55

DB = LB-16

DH = LH-8

LKmin=DBx2+296

LVmin=LKmin

FB=DB+(2x50)

FH=DH+30

\* Safety margin according to national regulation

Anodize/color: layer thickness: Additional info:  
RAL :

Object:

Customer:

Order-Nr.: Date: Release signatur:

Scale	Drawn	25.02.2020	MURO
%	ok to print		

Operatortyp: Profilsystem Execution  
2353.HERM/2453.HERM EL without fittings - 58 mm

TORMAX a Division of LANDERT Group AG  
CH-8180 Bülach-Zürich

Document number:  
T3-390-649

Index  
A