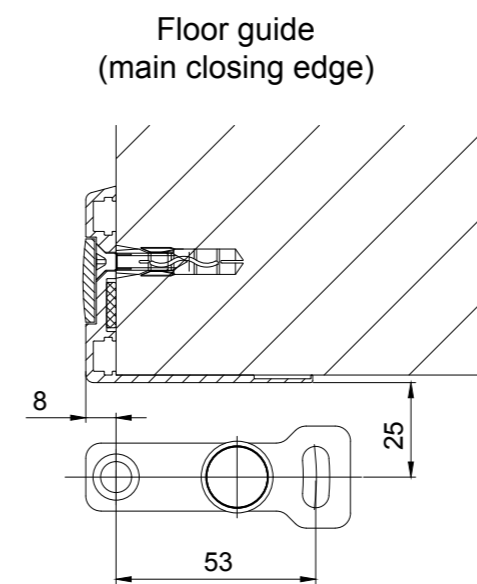
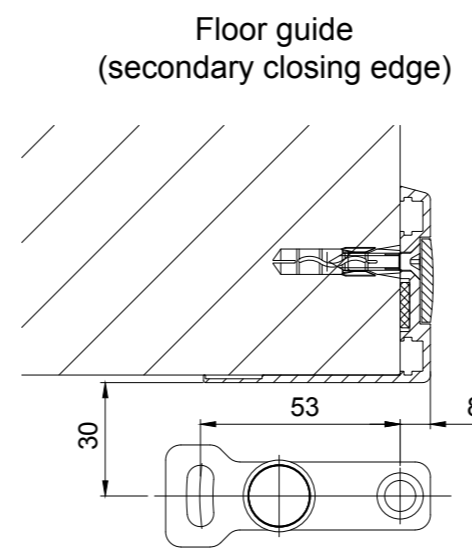
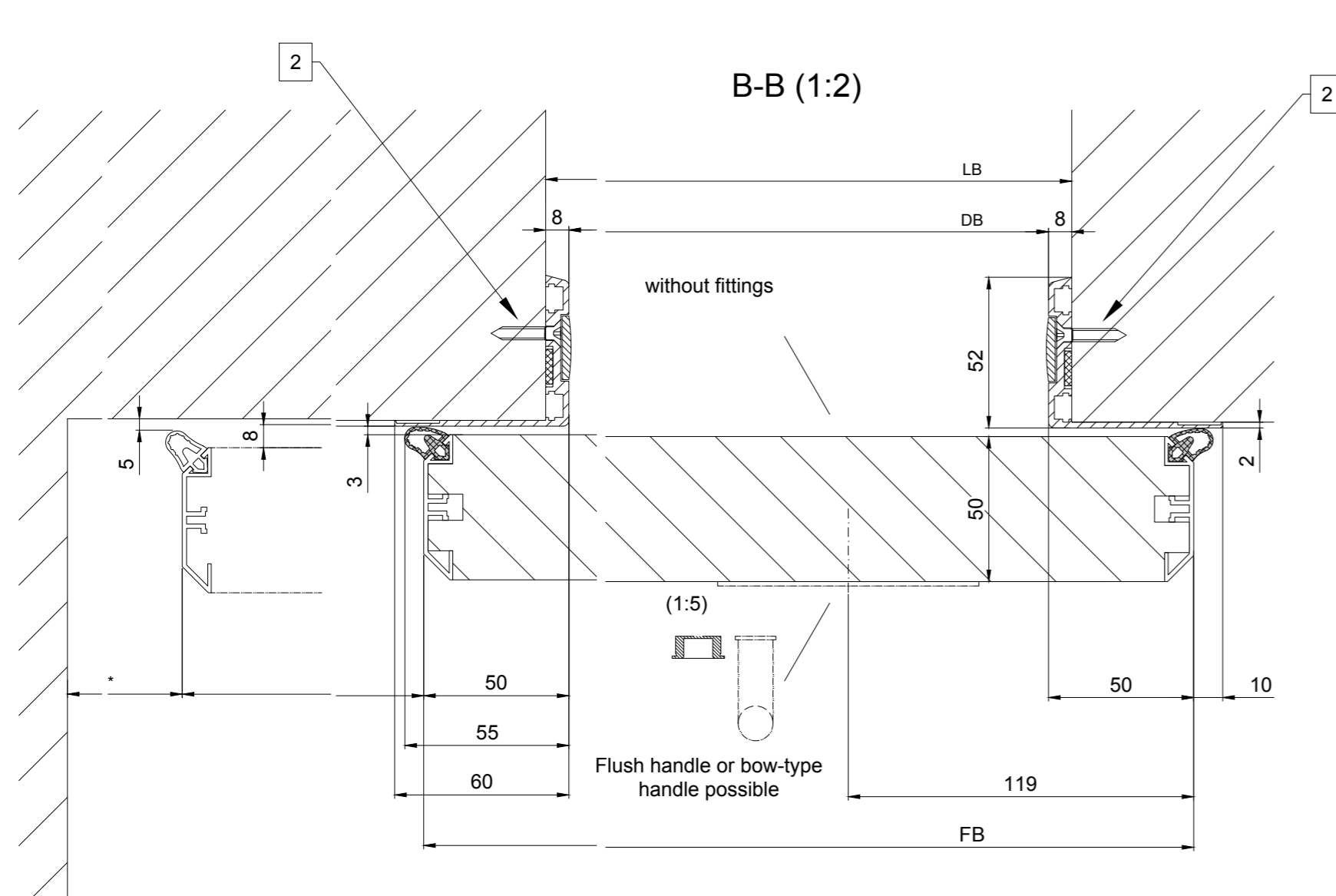
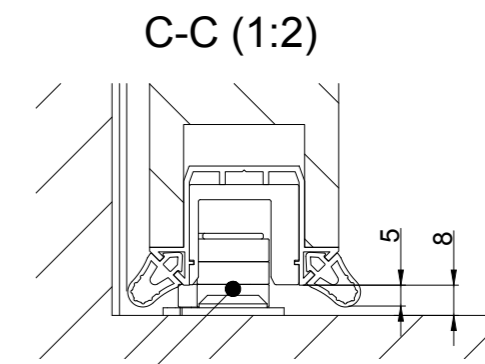
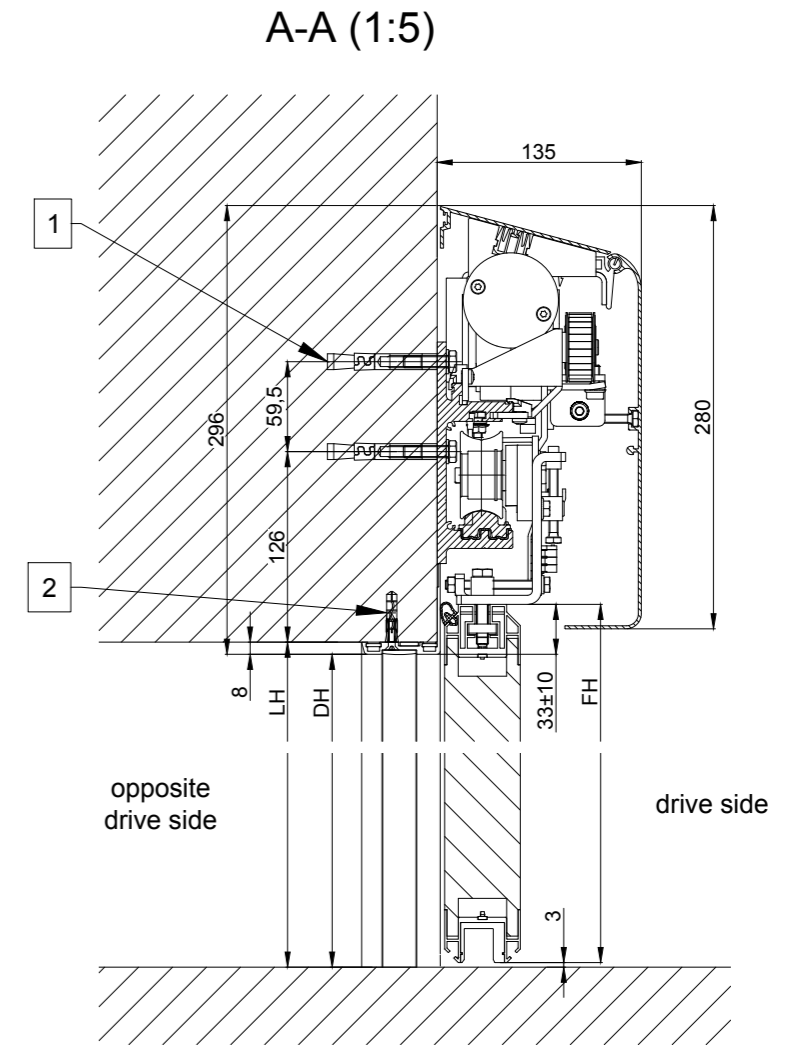
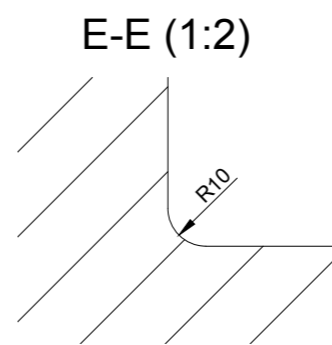
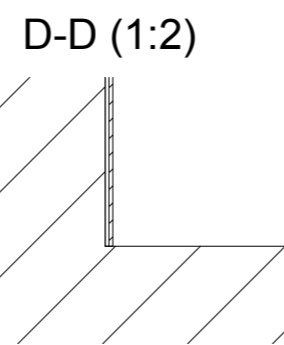
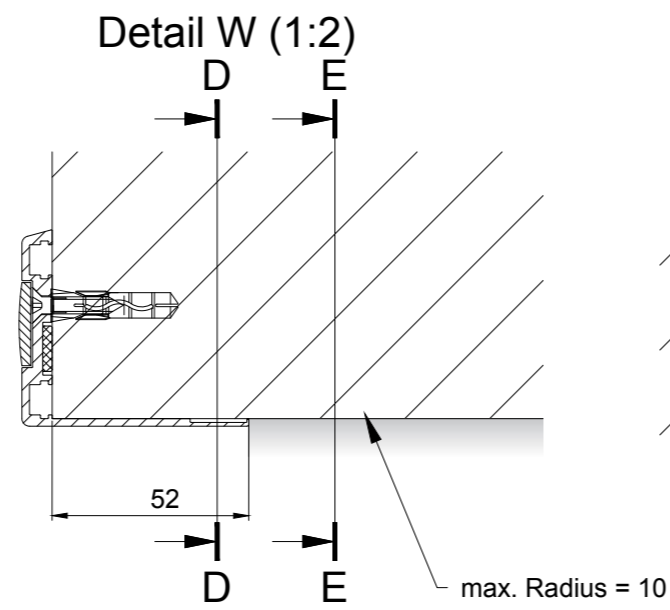
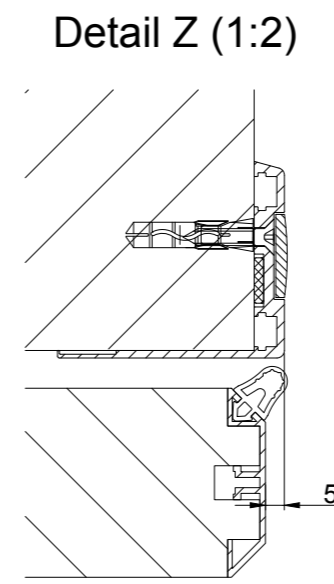
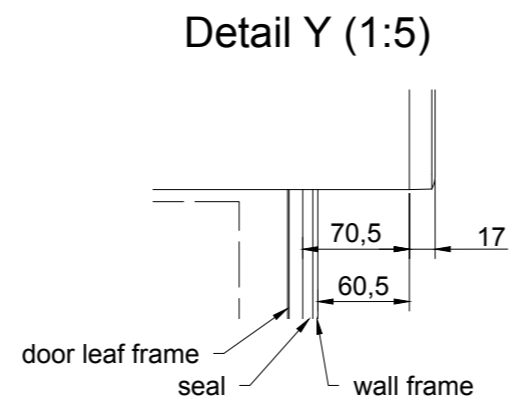
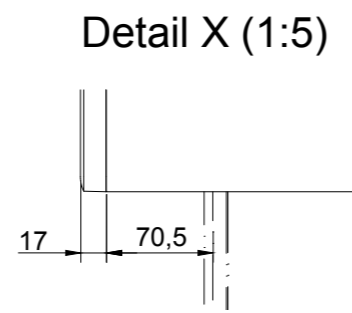
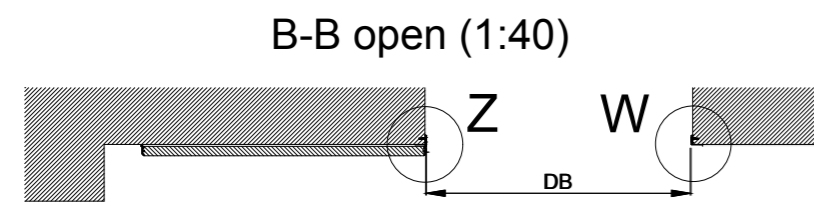


max. uneveness floor 1mm/m
max. deviation floor horizontal 1mm/m
and 2.5mm/entire doorpath



- Preconditions for underground**
- Reinforced concrete, wall thickness min. 100mm, quality min. C12/15 (B15)
 - Masonry, wall thickness min. 115mm, DFK ≥ 12, min. MG II / DM
 - Aerated concrete, wall thickness min. 170mm, DFK ≥ 4, glued

Fastenings		
Position	Description	Distance between fastenings
1	High performance anchor HL-S (SZ-S)	600mm
	ISO 7089-6-200 HV-A4 ISO 4017 M8x30-8.8	
2	DIN 7997 4.5x24	300mm
	Expansion anchor S6	

Door systems without fittings on the opposite drive side
Door leaf thickness 50 mm

W = opening width
LB = wall opening width
LH = wall opening height
DB = clear opening width
DH = clear opening height
FB = door leaf width
FH = door leaf height
LKmin = Headerprofil min. length
LVmin = Cladding min. length

* Safety margin according to national regulation

Anodize/color: layer thickness: Additional info:
RAL

Object:
Customer:

Order-Nr.: Date: Release signatur:

Scale: Drawn: 26.02.2020 MURD
% ok to print

Operator: Profisystem Execution
2353.HERM/ 2453.HERM EL without fittings - 50 mm

TORMAX a Division of LANDERT Group AG
CH-8180 Bülach-Zürich

Document number: T3_390_653