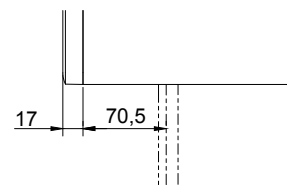
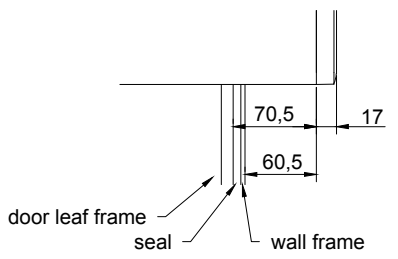


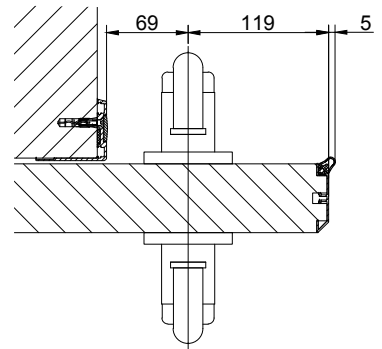
Detail X (1:5)



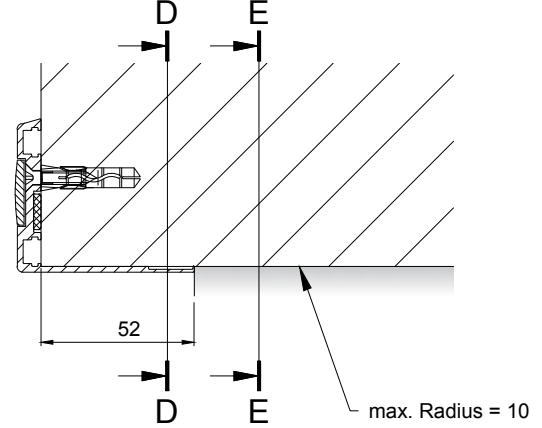
Detail Y (1:5)



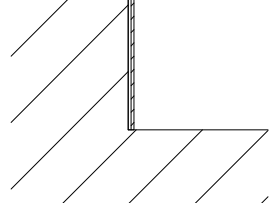
Detail Z (1:5)



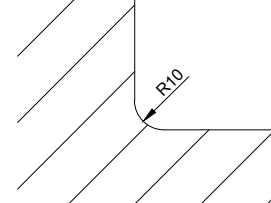
Detail W (1:2)



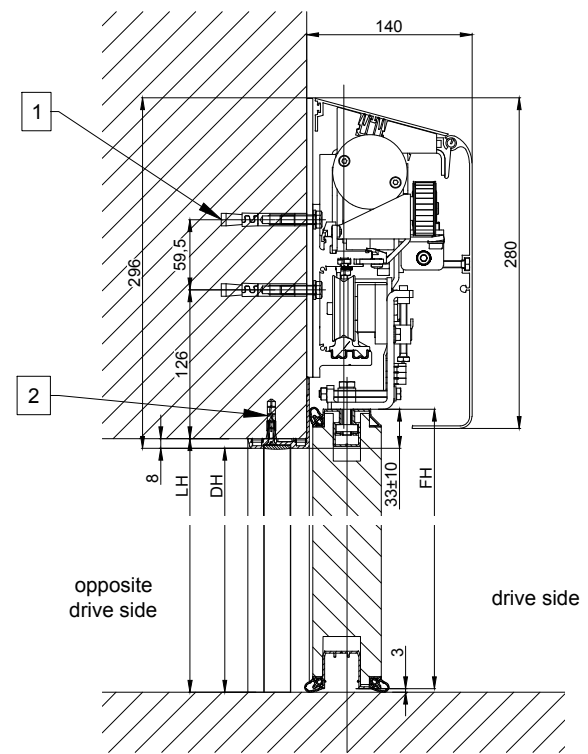
D-D(1:2)



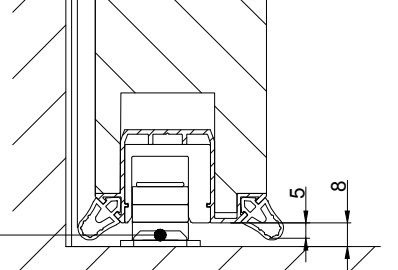
E-E(1:2)



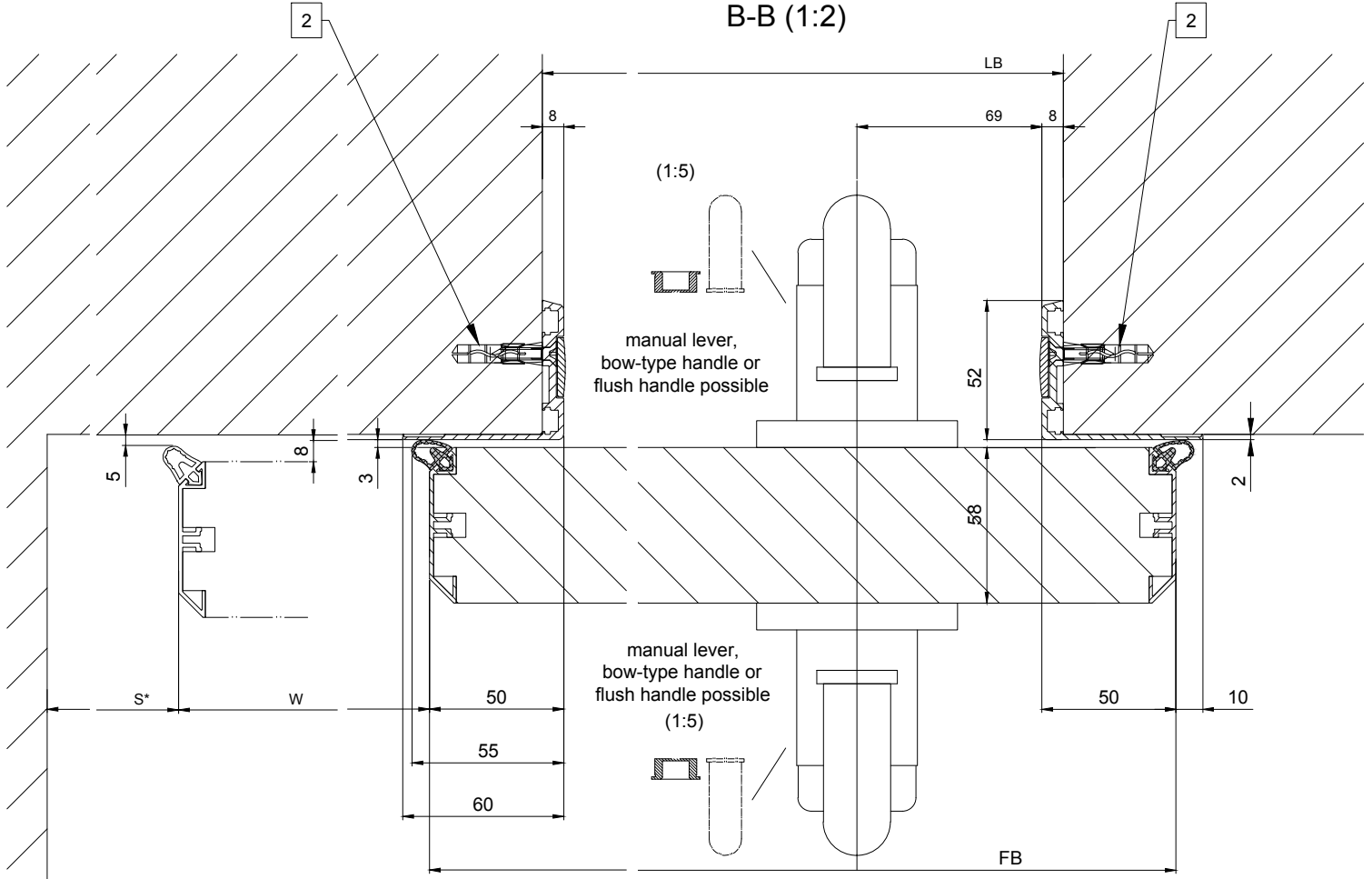
A-A (1:5)



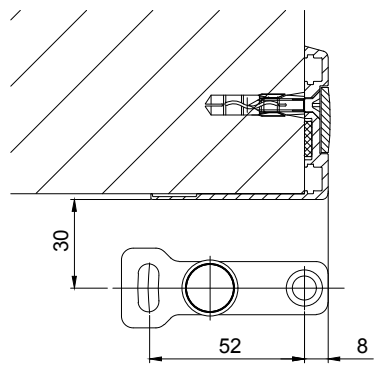
C-C (1:2)



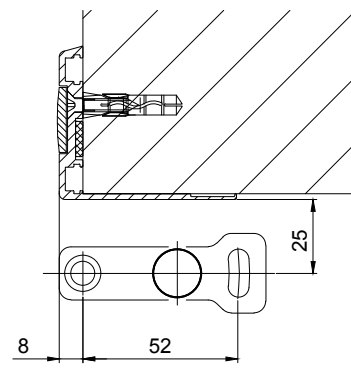
B-B (1:2)



Floor guide (secondary closing edge)



Floor guide (main closing edge)



- Preconditions for underground**
- Reinforced concrete, wall thickness min. 100mm, quality min. C12/15 (B15)
 - Masonry, wall thickness min. 115mm, DFK ≥ 12, min. MG II / DM
 - Aerated concrete, wall thickness min. 170mm, DFK ≥ 4, glued

Fastenings		
Position	Description	Distance between fastenings
1	High performance anchor HL-S (SZ-S)	600mm
	ISO 7089-6-200 HV-A4	
2	ISO 4017 M8x30-8.8	300mm
	DIN 7997 4.5x24	
	Expansion anchor S6	

Door systems with fittings on the opposite drive side
Door leaf thickness 58 mm

* Safety margin according to national regulation

Anodize/color: layer thickness: Additional info:
 RAL :

Object:

Customer:

Order-Nr.: Date: Release signatur:

W	opening width
LB	wall opening width
LH	wall opening height
DB	clear opening width
DH	clear opening height
FB	door leaf width
FH	door leaf height
LKmin	Headerprofil min. length
LVmin	Cladding min. length
W = DB+55	
LB = DB+188+16+5	
LH = DB+8	
DB = LB-188-16-5	
DH = LH-8	
LKmin = DBx2+296+193	
LVmin = LKmin	
FB = DB+(2x50)+188+5	
FH = DH+30	

Scale	Drawn	25.02.2020	MURO
%	ck to print		

Operatortyp: Profilsystem Execution
 2353.HERM/2453.HERM EL with fittings - 58 mm