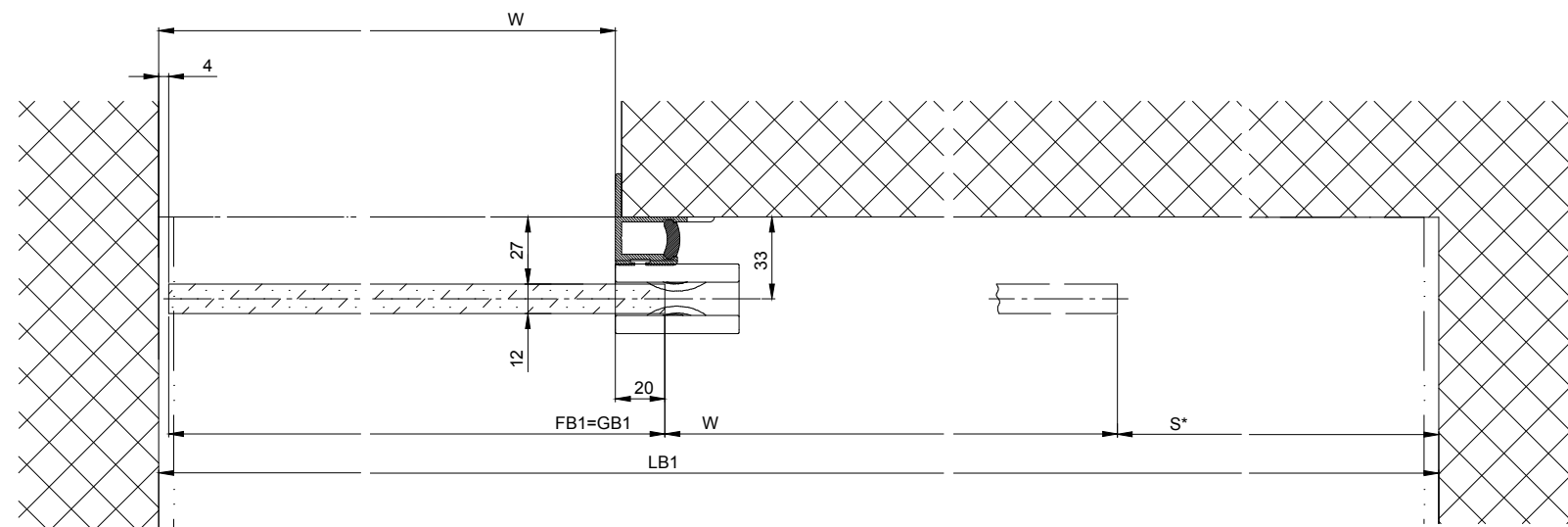
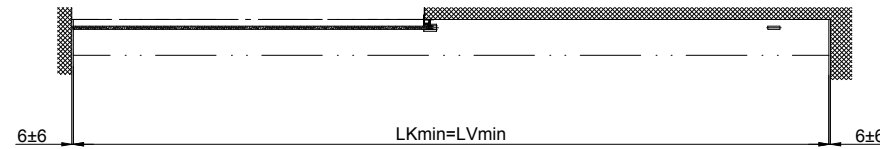
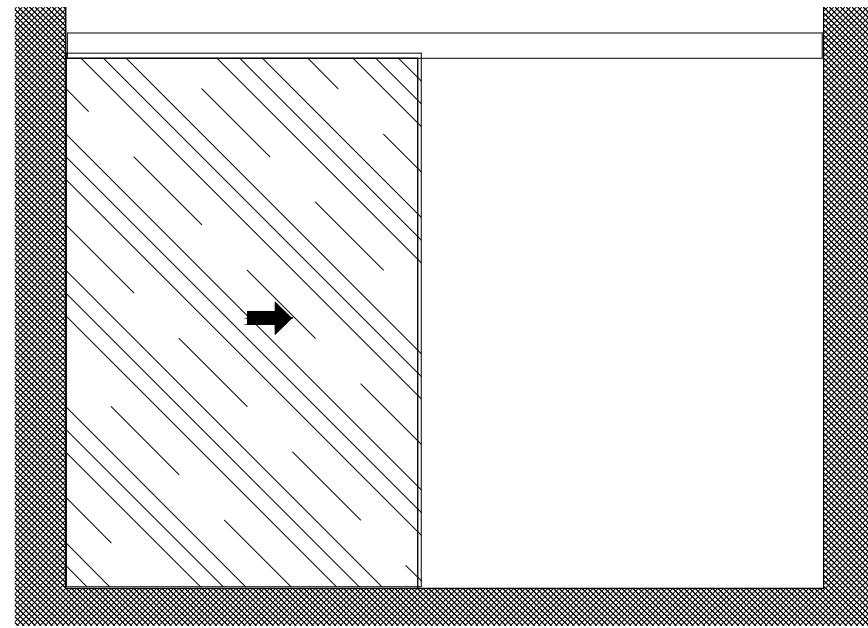
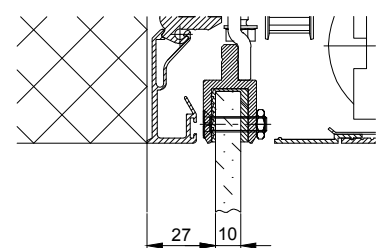


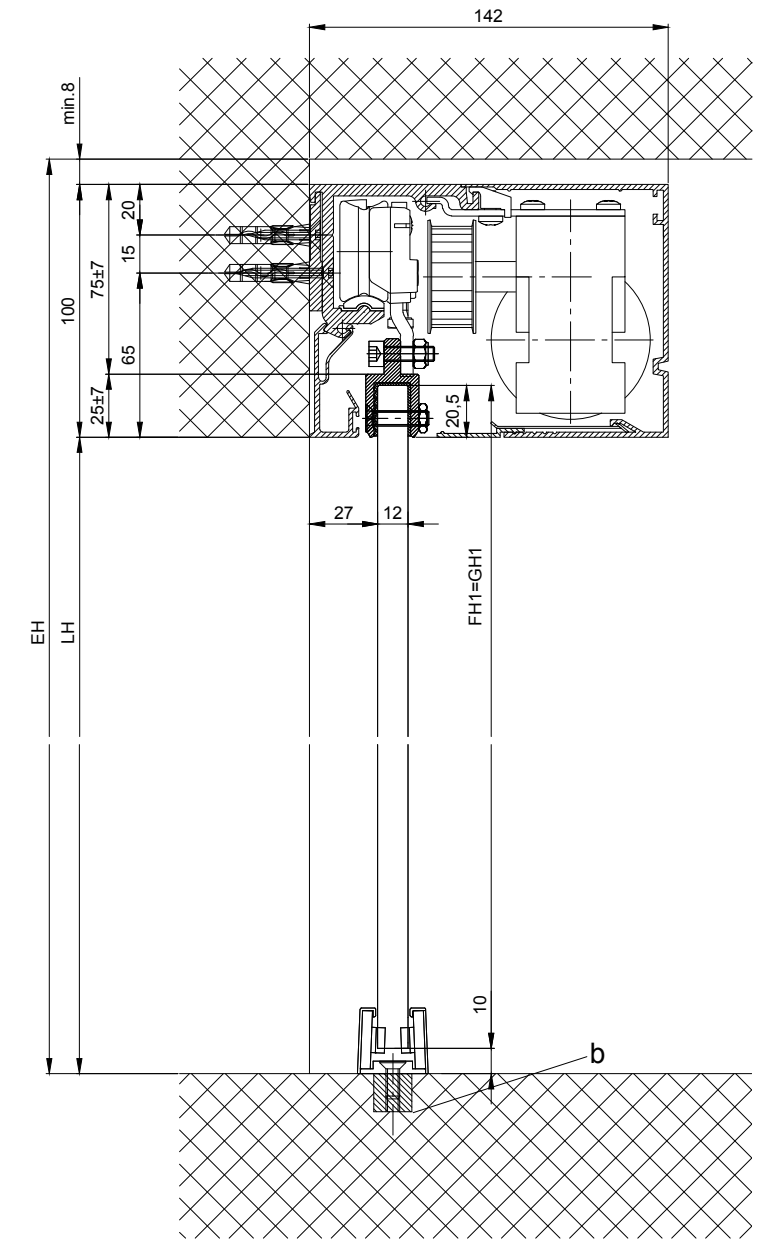
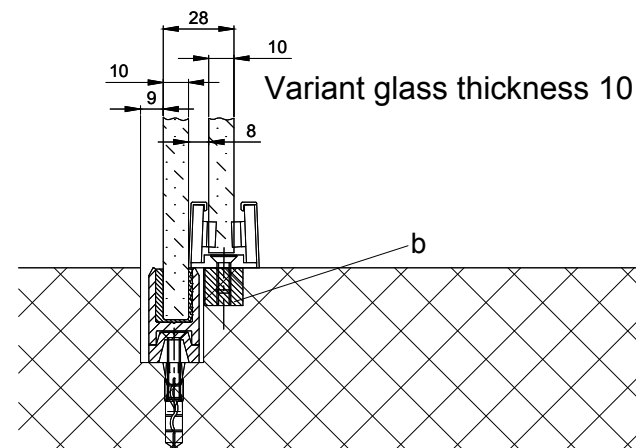
1:20



Variant glass thickness 10 mm



Variant glass thickness 10 mm



Variants of the drive cross section:

- Header profile 2101/2201/2202 (according to drawing)
- Header profile 2101/2201/2202 H100

b Executed on site

The door leaves must be made from material which do not bear any potential risk of injury in any case of breakage (for example single sheet toughened safety glass, compound safety glass etc.). Transparent door leaves must be clearly labelled to be recognised as such.

* Safety margin according to national regulation nationale

$LB1=2W+S+20$	
$W=(LB1-S-20)/2$	
$LKmin=LVmin=LB1-12$	
$GB1= W+16$	
$GH1=LH+10,5$	

Anodize/color	layer thickness:	Additional info:
	RAL	:
Object:		
Customer:		
Order-Nr.:	Date:	Releasesignatur:
Operator: Profilsystem	Execution	Scale
2203 ER frameless without fixedwing, lintel	ok to print	27.02.2020 MURD
TORMAX a Division of LANDERT Group AG CH-8180 Bulach-Zürich		Document number: T3_390_792