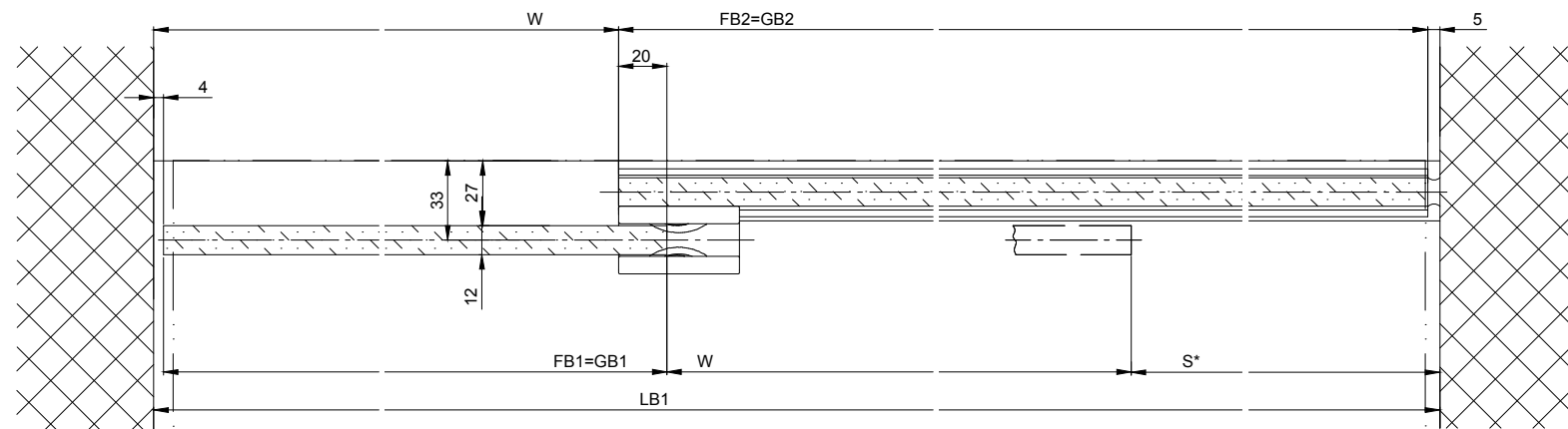
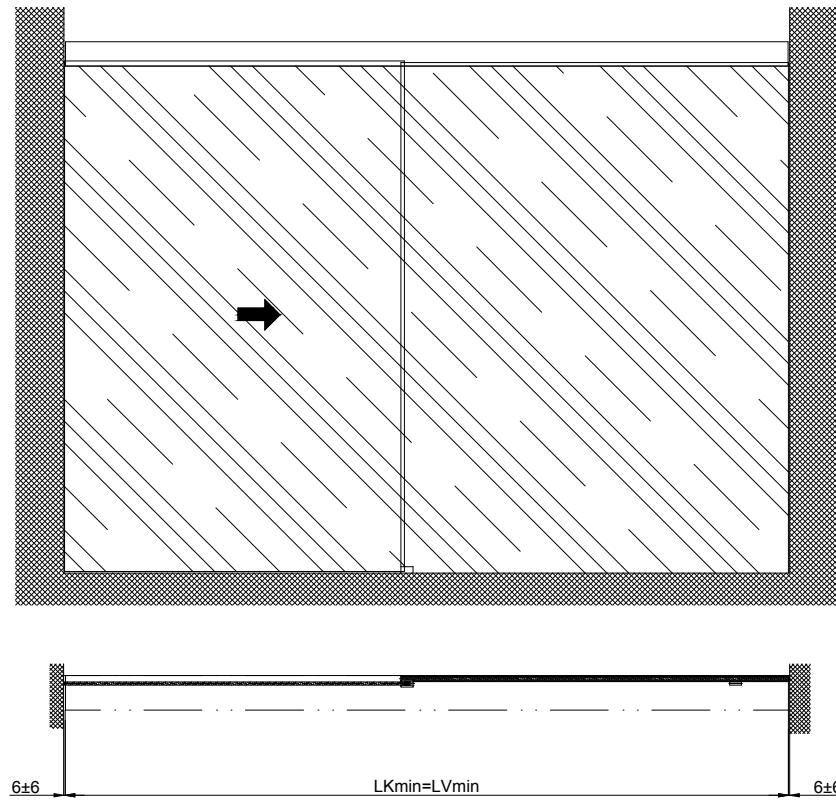
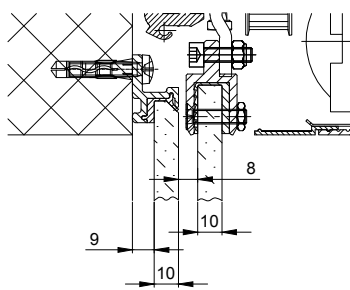


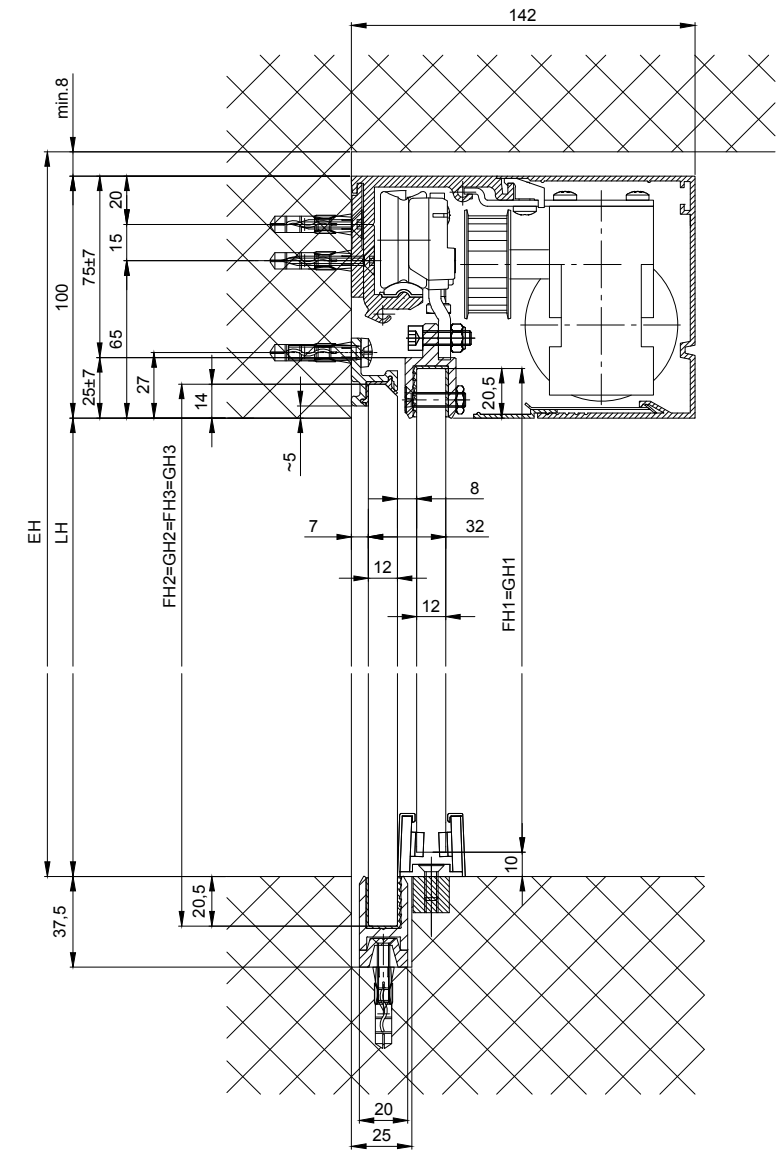
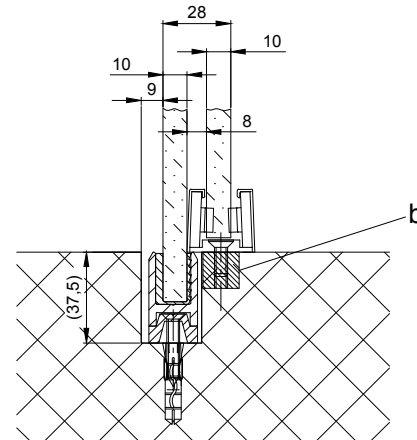
1:20



Variant glass thickness 10 mm



Variant glass thickness 10 mm



b Executed on site

The door leaves must be made from material which do not bear any potential risk of injury in any case of breakage (for example single sheet toughened safety glass, compound safety glass etc.). Transparent door leaves must be clearly labelled to be recognised as such.

* Safety margin according to national regulation

Anodize/color: layer thickness: Additional info:
RAL :

Object:

Customer:

Order-Nr.: Date: Release signatur:

Scale: Drawn: 27.02.2020 MUR
% ok to print

Operator typ: Profilsystem Execution
2203 ER frameless LR12 with fixedwing, lintel

TORMAX TORMAX a Division of LANDERT Group AG
CH-8180 Bulach-Zürich Document number: T3_390_793 Index

$LB1=2W+S+20$	
$W=(LB1-S-20)/2$	
$LKmin=LVmin=LB1-12$	
$GB1=W+16$	
$GB2=W+S+20$	
$GH1=LH+10,5$	
$GH2=LH+34,5$	