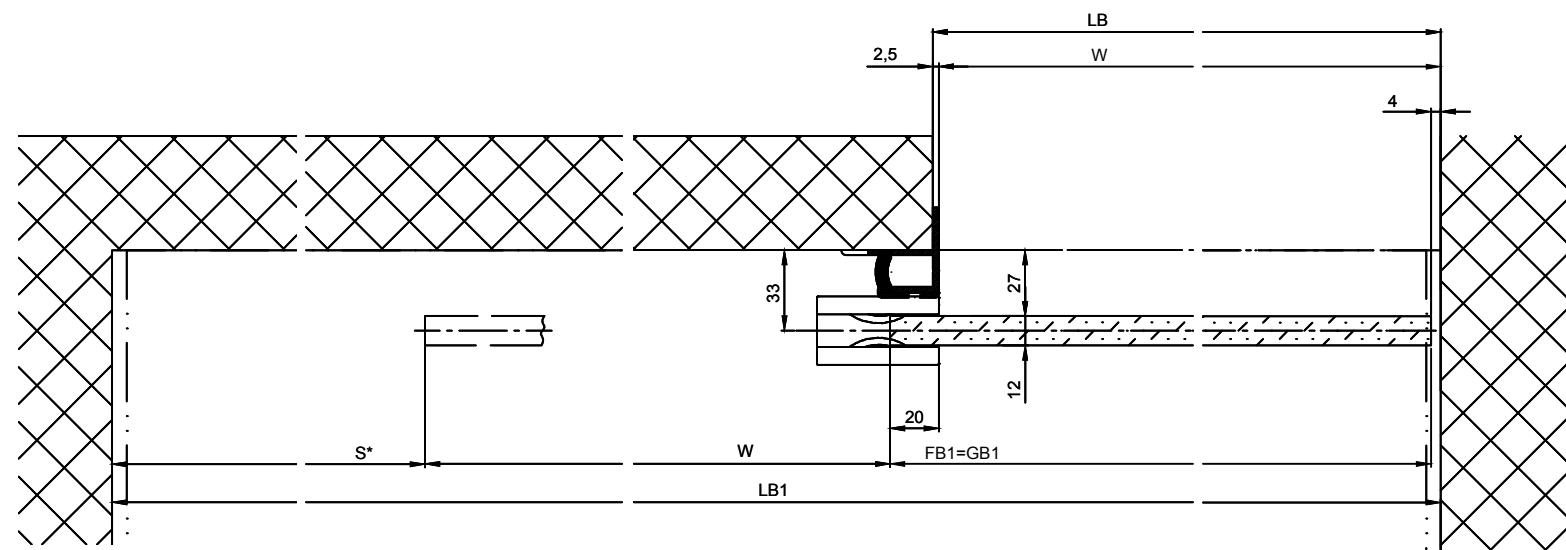
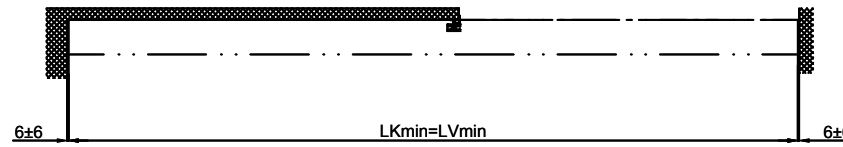
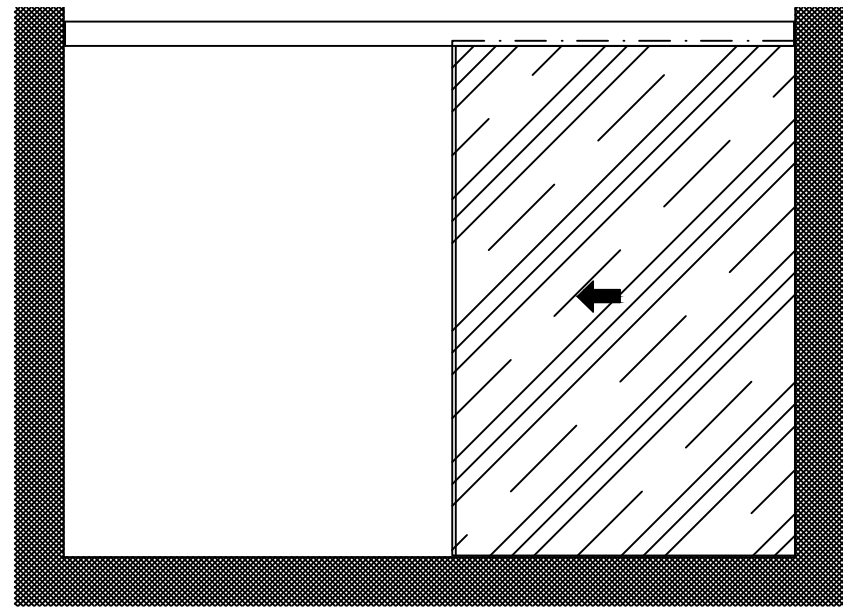
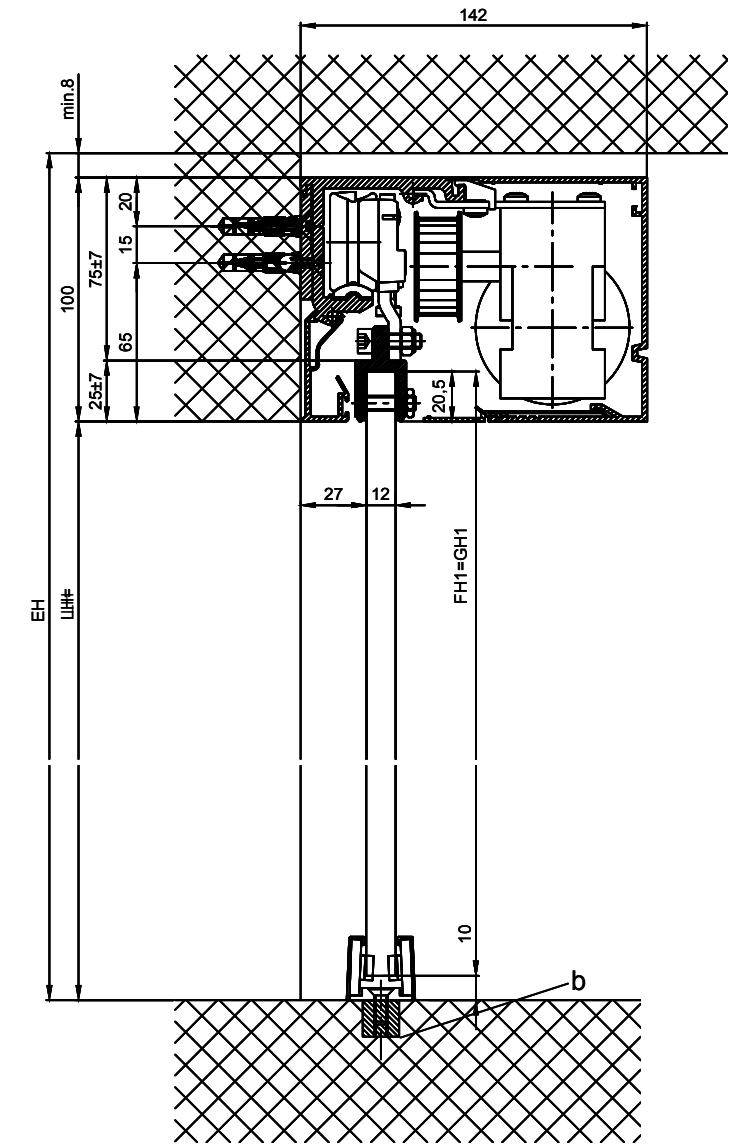
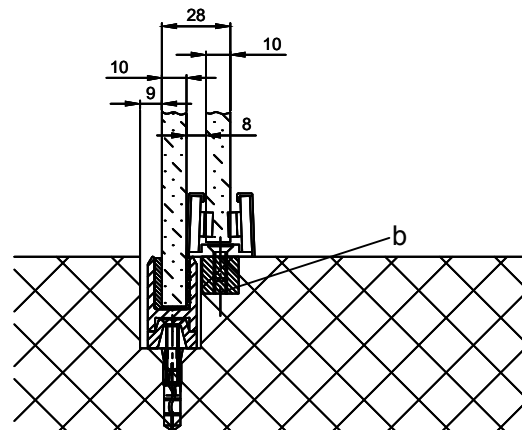
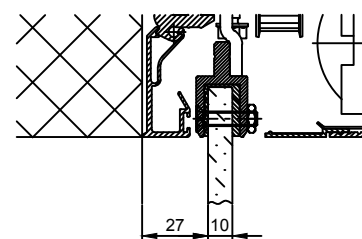


1:20



Variant glass thickness 10 mm

Variant glass thickness 10 mm



**Variants of the drive cross section:**

- Header profile 2101/2201/2202 (according to drawing)
- Header profile 2101/2201/2202 H100

**b Executed on site**

The door leaves must be made from material which do not bear any potential risk of injury in any case of breakage (for example single sheet toughened safety glass, compound safety glass etc.). Transparent door leaves must be clearly labelled to be recognised as such.

\* Safety margin according to national regulation

$LB1=2W+S+20$	
$W=(LB1-S-20)/2$	
$LKmin=LVmin=LB1-12$	
$GB1= W+16$	
$GH1=LH+10,5$	

Anodize/color	layer thickness: _____	Additional info:
	RAL : _____	
Object:		
Customer:		
Order-Nr.:	Date:	Releasesignatur:
		Scale %
Operator: Profilsystem	Execution	Drawn 27.02.2010 HMBD
2201/2202 EL Rahmenlos without fixedwing, intel		ok to print
		Document number: T3_390_300
<small>TORMAX a Division of LANDERT Group AG CH-8180 Bülach-Zürich</small>		Index A