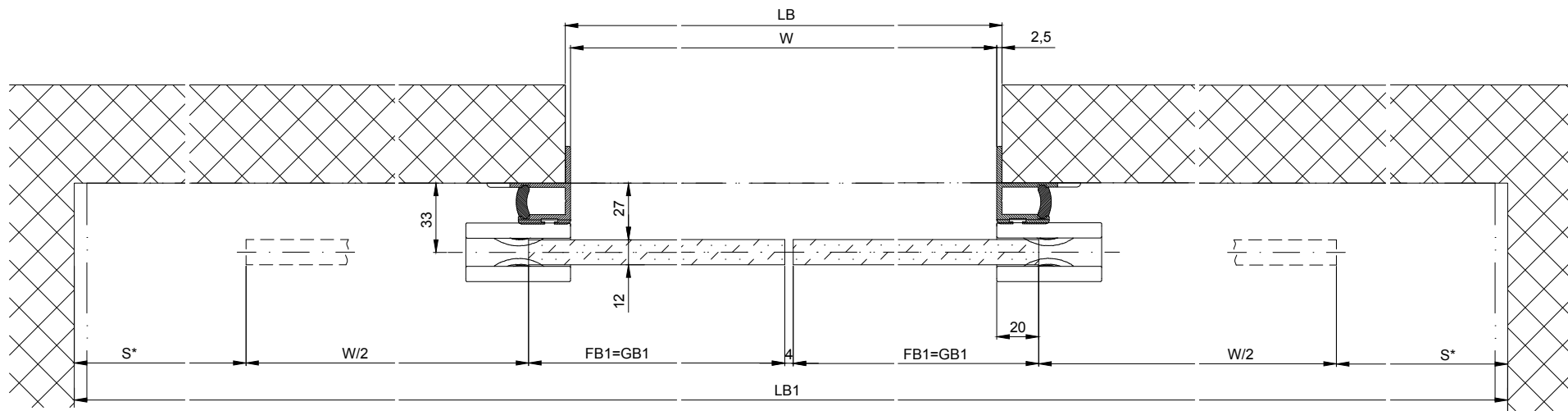
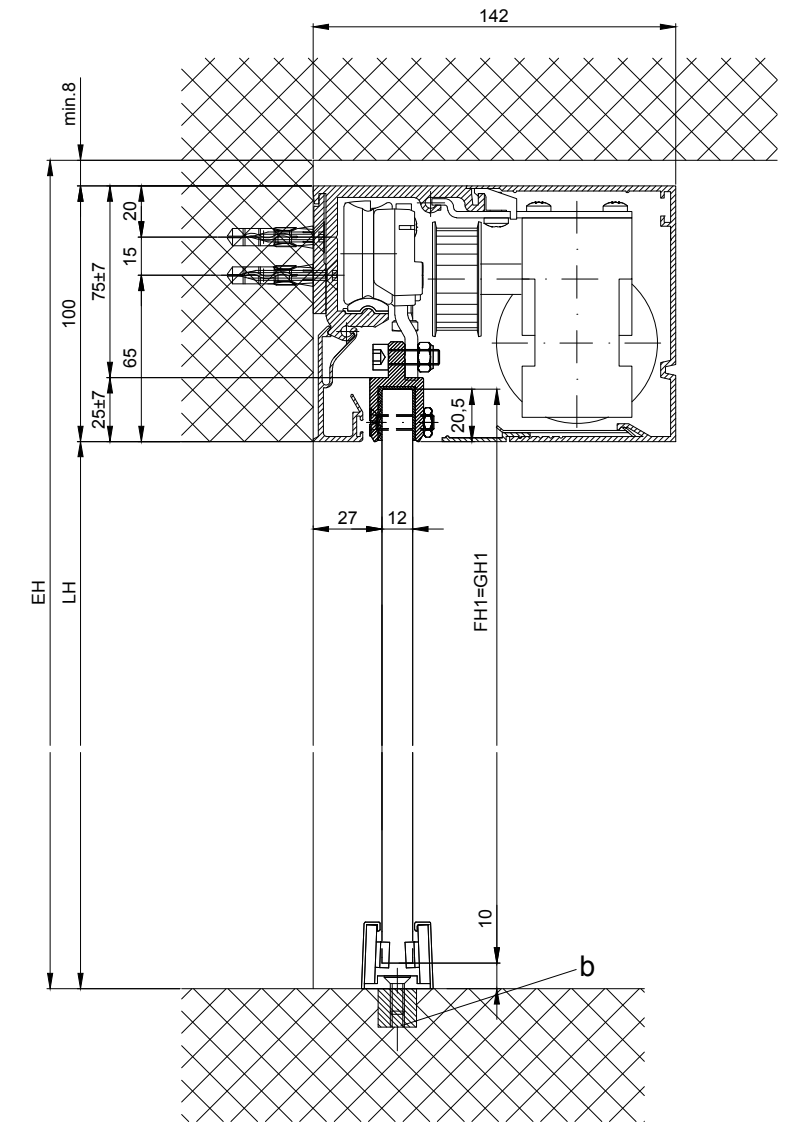
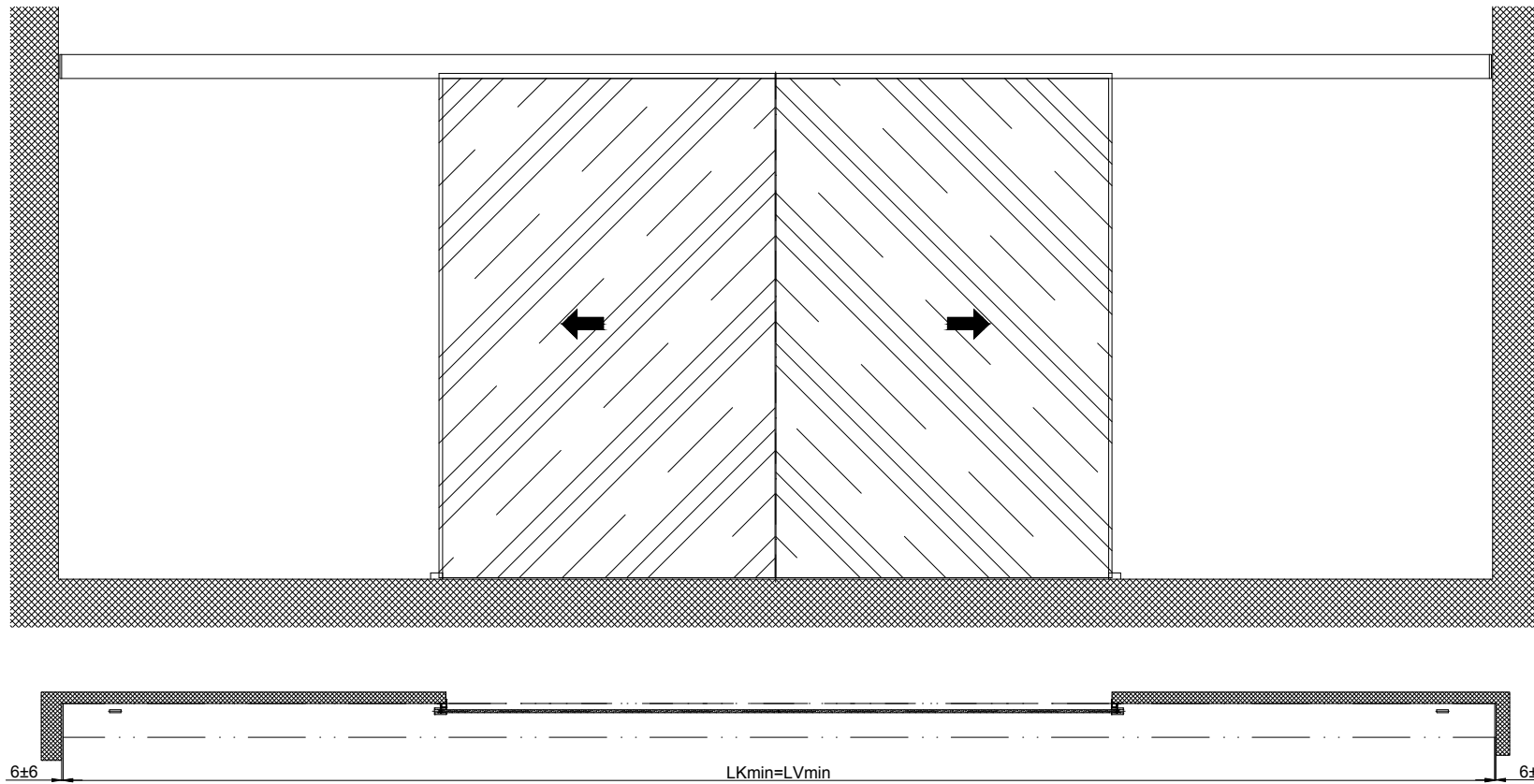
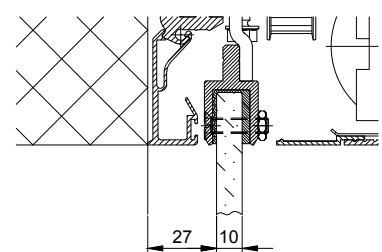


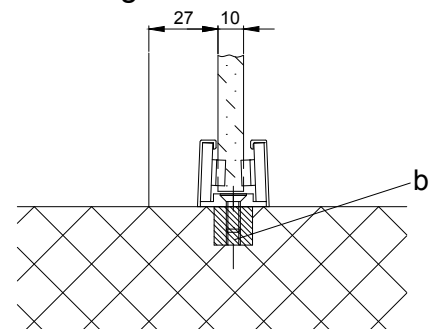
(1:20)



Variant glass thickness 10 mm



Variant glass thickness 10 mm



Variants of the drive cross section:

- Header profile 2101/2201/2202 (according to drawing)
- Header profile 2101/2201/2202 H100

b Executed on site

The door leaves must be made from material which do not bear any potential risk of injury in any case of breakage (for example single sheet toughened safety glass, compound safety glass etc.). Transparent door leaves must be clearly labelled to be recognised as such.

* Safety margin according to national regulation

$LB1=2W+40+2s$	
$W=(LB1-2s-40)/2$	
$LKmin=LVmin=LB1-12$	
$GB1=(W/2)+18$	
$GH1=LH+10.5$	

Anodize/color:	layer thickness: _____	Additional info:
	RAL : _____	
Object:	
Customer:	
Order-Nr.:	Date:	Releasesignatur:
Operator typ:	Profilsystem	Execution
2203 EB frameless without fixedwing, lintel		
		Scale: _____ Drawn: 27.02.2020 MURO % ok to print: _____
TORMAX a Division of LANDERT Group AG CH-8180 Bülach-Zürich		Document number: T3_390_788 Index: _____