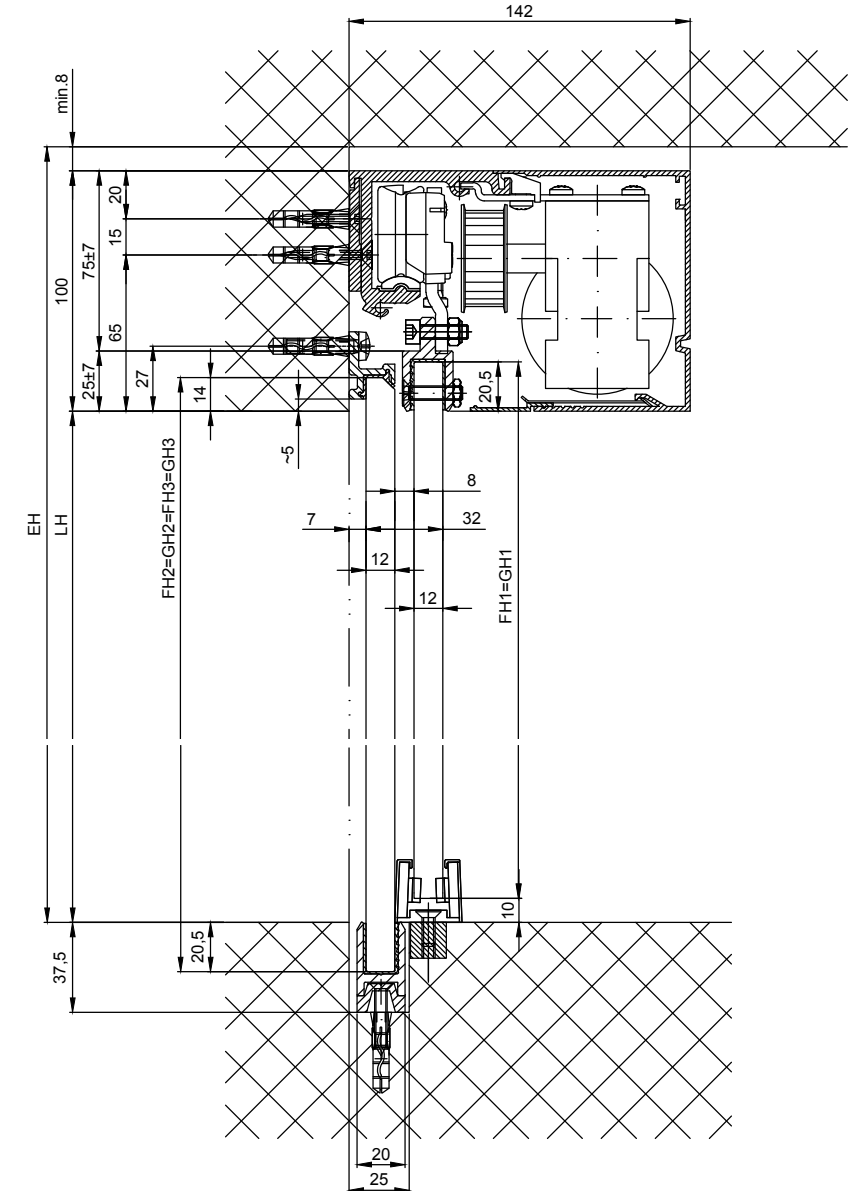
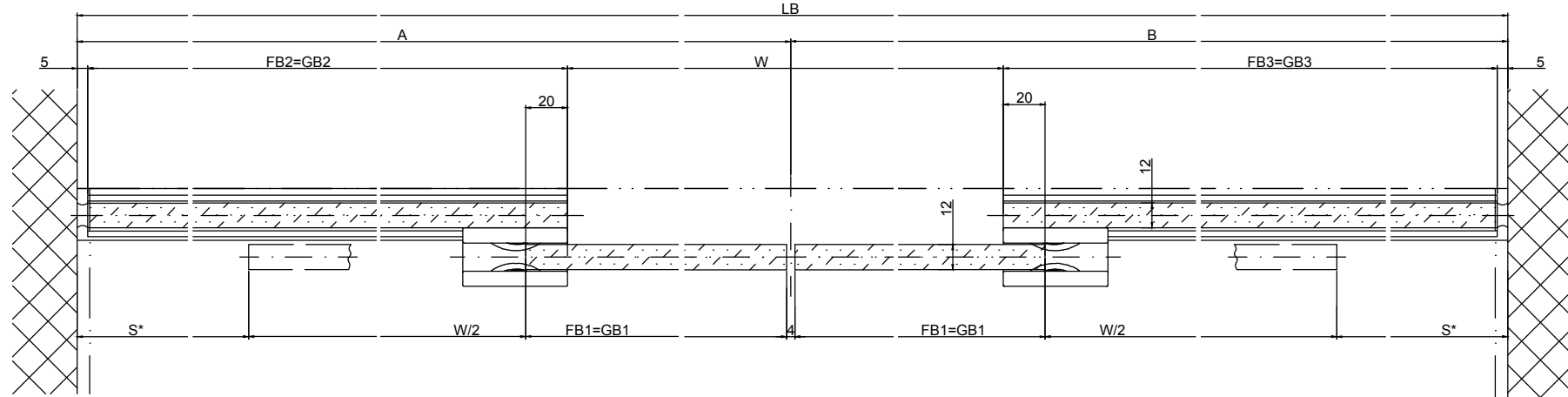
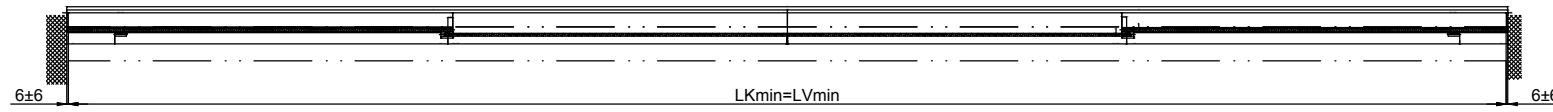
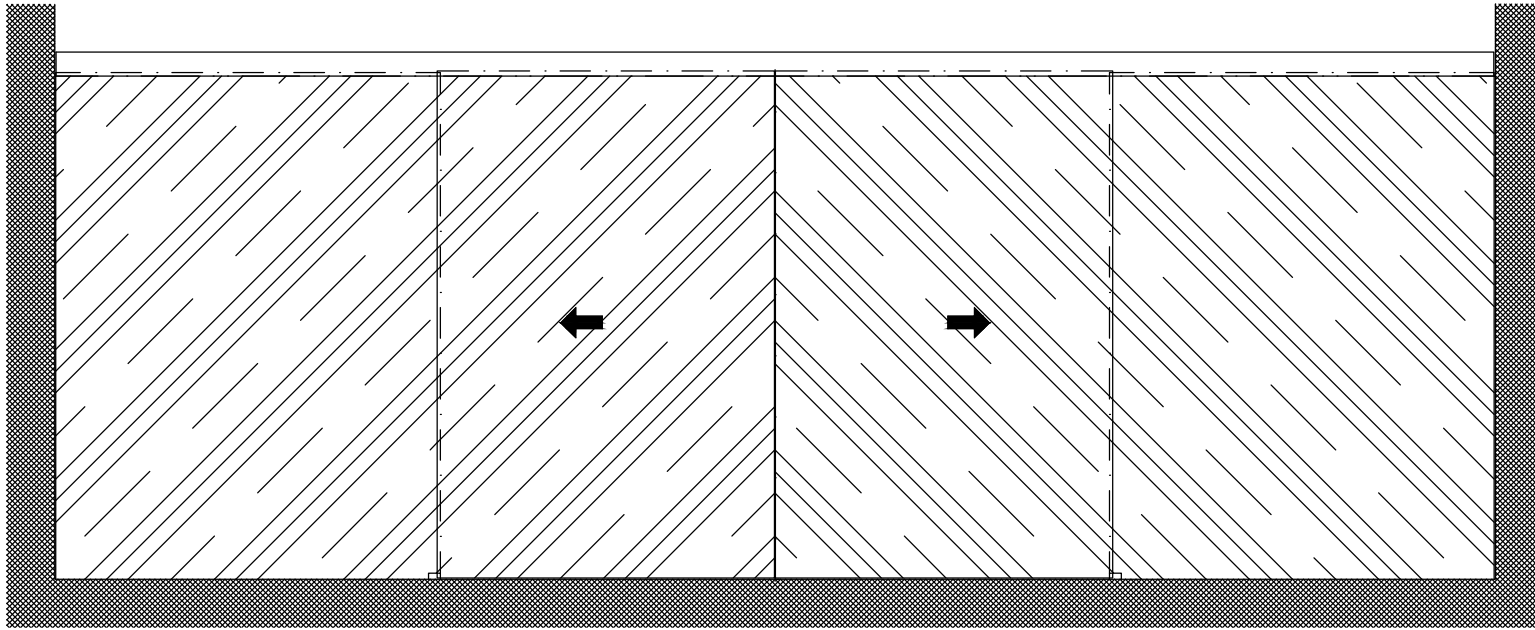
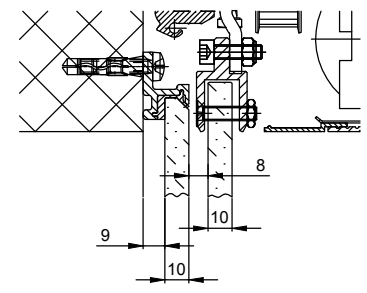


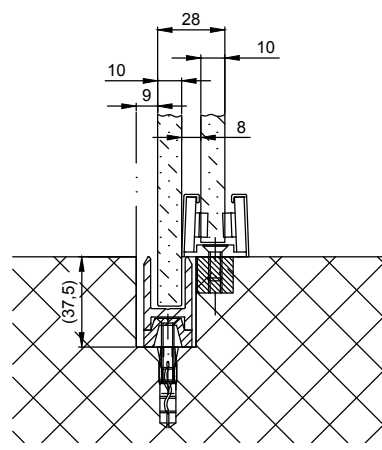
(1:20)



Variant glass thickness 10 mm



Variant glass thickness 10 mm



$LB=2W+40+2s$	$GH1=LH+10.5$
$W=(LB-2s-40)/2$	$GH2=LH+34.5$
$LKmin=LVmin=LB-12$	
$FB1=GB1=(W/2)+18$	
$FB2=GB2=A-(W/2)-5$	
$FB3=GB3=B-(W/2)-5$	

b Executed on site

The door leaves must be made from material which do not bear any potential risk of injury in any case of breakage (for example single sheet toughened safety glass, compound safety glass etc.). Transparent door leaves must be clearly labelled to be recognised as such.

\* Safety margin according to national regulation

Anodize/color layer thickness: \_\_\_\_\_ Additional info: \_\_\_\_\_  
RAL : \_\_\_\_\_

Object: \_\_\_\_\_

Customer: \_\_\_\_\_

Order-Nr.: \_\_\_\_\_ Date: \_\_\_\_\_ Release signatur: \_\_\_\_\_

Operator type: Profilsystem Execution Scale % Drawn 27.02.2020 MURD  
ok to print

2203 EB frameless with fixedwing, lintel

TORMAX AUTOMATIC TORMAX a Division of LANDERT Group AG CH-8180 Bülach-Zürich Document number: T3\_390\_789 Index