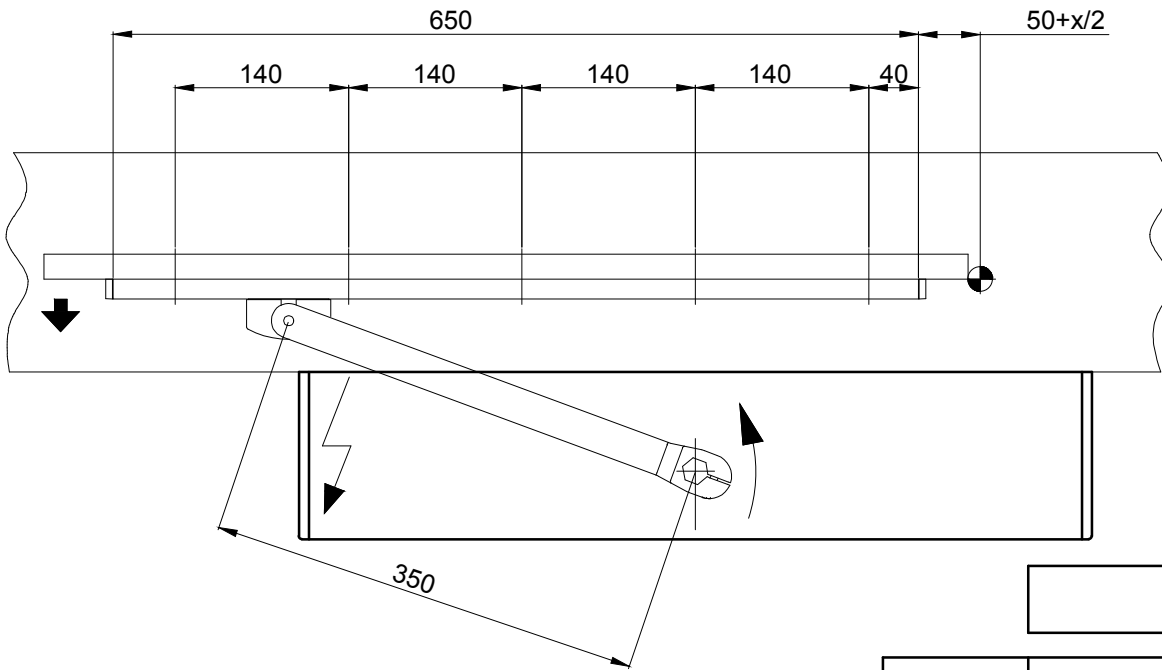
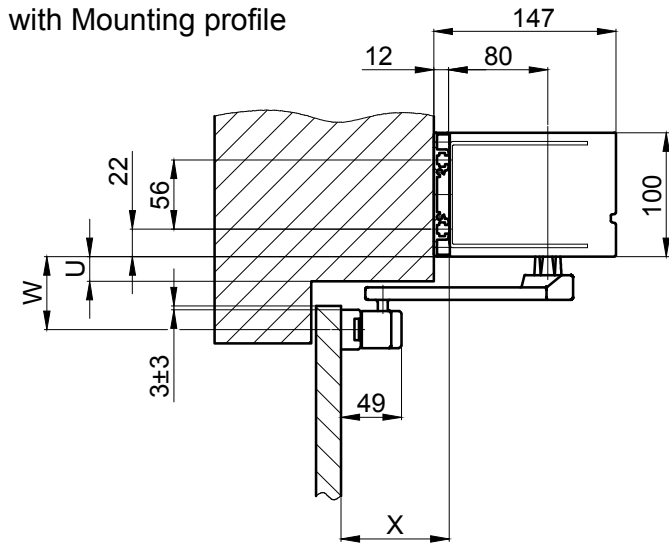




with Mounting profile



X	0...+150
---	----------

U	0-20	0-39	0-80
W	59±3	78±3	119±3
	63	82	123

Object:			
Customer:			
Order-Nr.:		Date:	Releasesignatur:
Scale		Drawn	07.10.2021 MURO
% ok to print			
Operatorotyp :		Execution:	
iMotion 1301 sliding lever 350mm/mounting on lintel			
 TORMAX a Division of LANDERT Group AG CH-8180 Bülach-Zürich			Document-Nr.: T3-386-56
			Index B