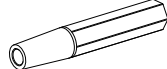



X	-3 ... +147
Z	57 ... 117 ± 3
	63 ... 123

a	230 ... 360	
b	c-90	$\sqrt{a^2+(x+74)^2}-90$
d min.	c+570	$\sqrt{a^2+(x+74)^2}+570$

Situation shown on plan a = 360

Object:				
Customer:				
Order-Nr.:		Date:		Releasesignatur:
		Scale	Drawn	11.02.2021
		ok to print		REFL
Operatorotyp : Execution:				
iMotion 1301 DFT housing IP68 sliding lever 500mm/mounting on lintel				
			TORMAX a Division of LANDERT Group AG CH-8180 Bülach-Zürich	
Document-Nr.:			Index	
T3-386-85			E	