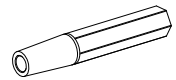


----- Additional cladding

| | |
|---|----------------|
| X | -3 ... +147 |
| Z | 57 ... 117 ± 3 |
|  | 63 ... 123 |

| | | |
|--------|-------|---------------------------|
| d min. | c+570 | $\sqrt{a^2+(x+74)^2+570}$ |
|--------|-------|---------------------------|

Object:

Customer:

Order-Nr.:

Date:

Releasesignatur:

| | | | |
|-------|-------------|------------|------|
| Scale | Drawn | 11.02.2021 | REFL |
| | ok to print | | |

Operator typ : Execution: iMotion 1301 DFT housing IP68 sliding lever 350mm/mounting on lintel

TORMAX AUTOMATIC TORMAX a Division of LANDERT Group AG
CH-8180 Bülach-Zürich

Document-Nr.:
T3-386-84

Index
E