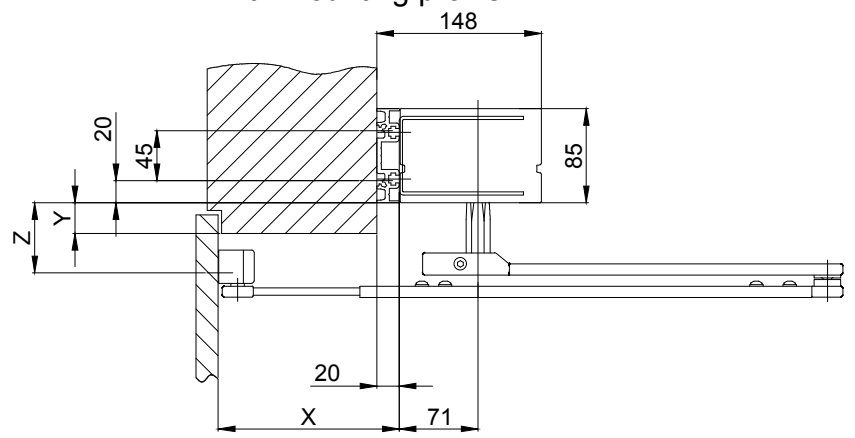
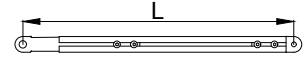



with Mounting profile




X	-100 ... +40	+40 ... +180
	L=291...436	L=436...581

Y	0 ... 10	0 ... 29	0 ... 70
Z	33	52	93
	63	82	123

a	310 ... 360
---	-------------

Situation shown on plan a = 360

Object:			
Customer:			
Order-Nr.:	Date:	Releasesignatur:	
Scale	Drawn	17.07.19	MURO
%	ok to print	.	.
Operator typ :		Execution:	
TORMAX 1201 1102 standard linkage 350mm/mounting on intel			
 TORMAX a Division of LANDERT Group AG CH-8180 Bülach-Zürich			Document-Nr.: T3-386-79
			Index C