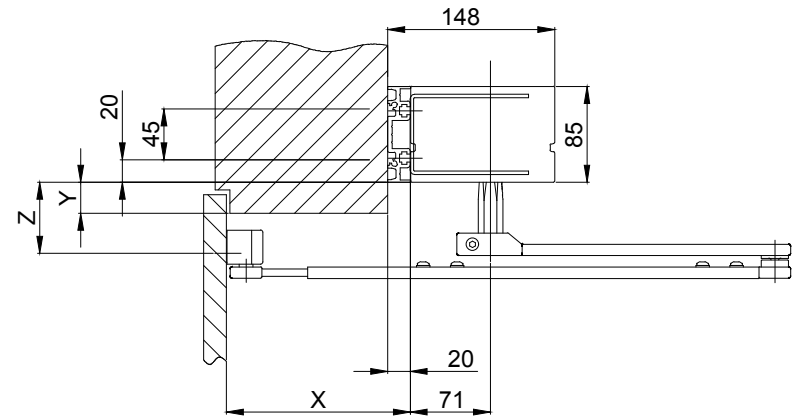


with Mounting profile



X	-40...+100	+100...+240
L	L=291... 436	L=436...581

Y	0 ... 10	0 ... 29	0 ... 70
Z	33	52	93
	63	82	123

Object:			
Customer:			
Order-Nr.:	Date:	Releasesignatur:	
Scale	Drawn	17.07.19	MURO
%	ok to print	.	.
Operatortyp :	Execution:		
TOMAX 1201 1102 standard linkage 290mm/mounting on intel	◀ ⊙		
TORMAX a Division of LANDERT Group AG CH-8180 Bülach-Zürich			Document-Nr.: T3-386-74
			Index C