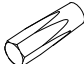
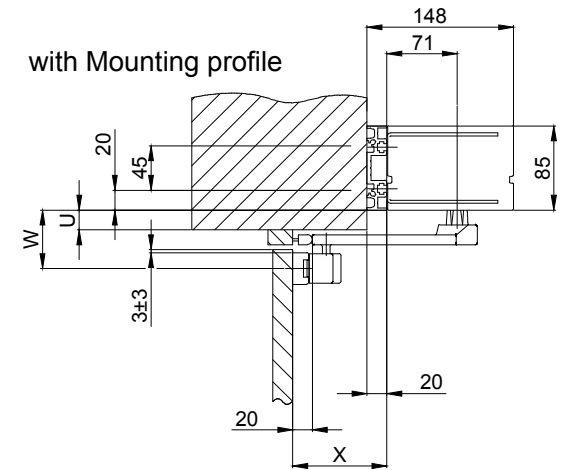
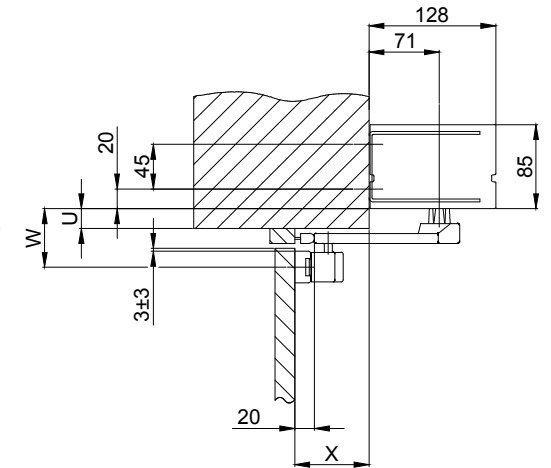



X	0 ... +150
---	------------

U	0 ... 20	0 ... 39	0 ... 80
W	59 ± 3	80 ± 3	119 ± 3
	63	82	123



Object:			
Customer:			
Order-Nr.:		Date:	Releasesignatur:
		Scale %	Drawn ok to print
Execution: TORMAX 1201 1102 sliding lever 350mm/mounting on lintel panic fittings		17.07.19	MURO
Operator typ :		Document-Nr.:	Index
		TORMAX a Division of LANDERT Group AG CH-8180 Bülach-Zürich	T3-386-77 C