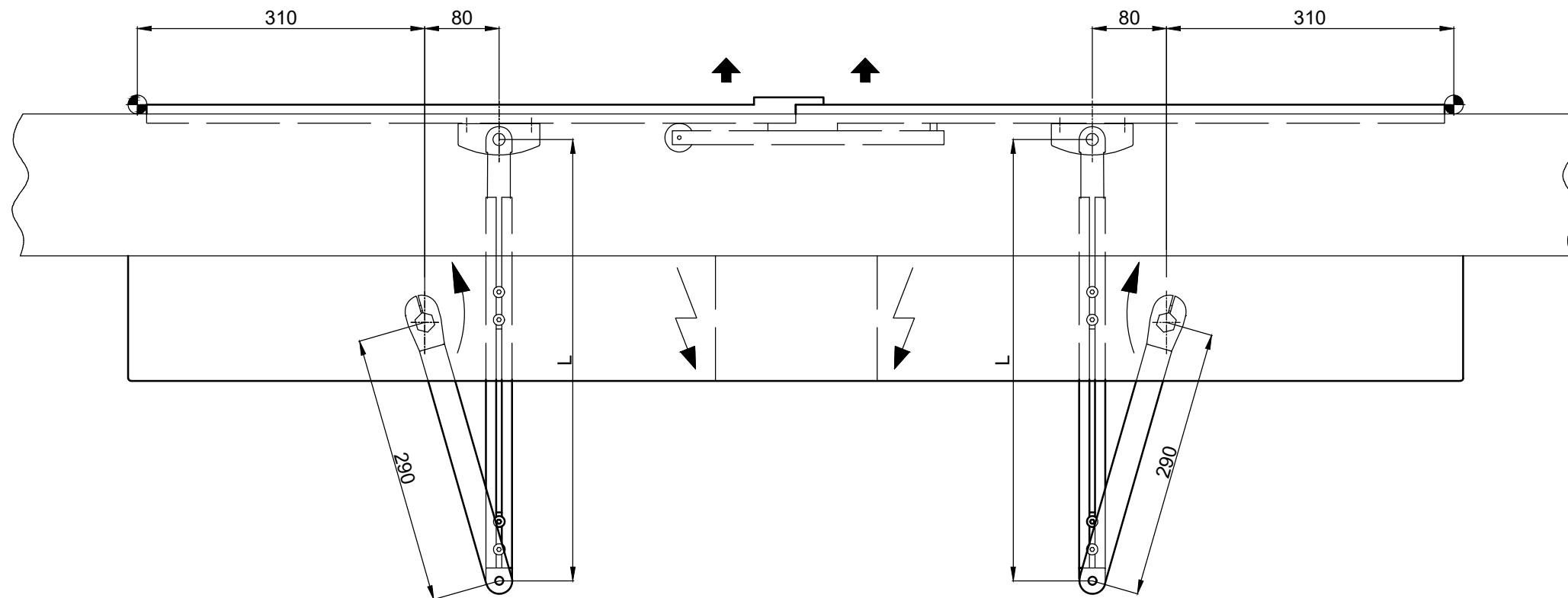
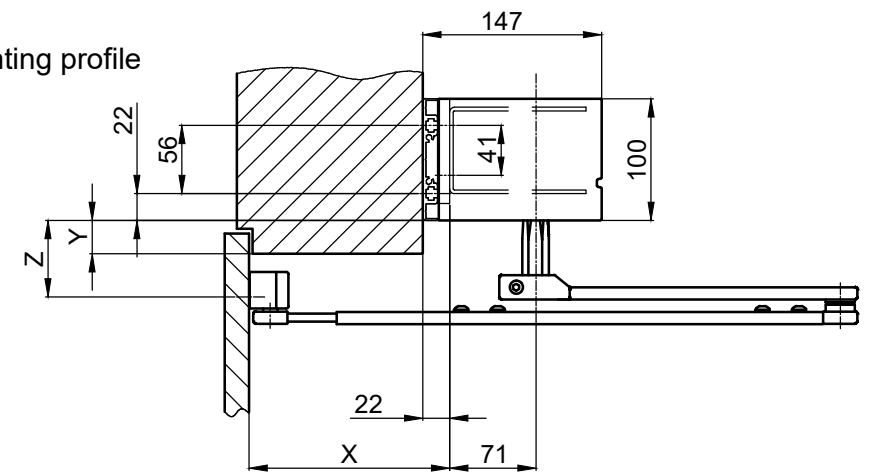




with Mounting profile



X	-40...+100	+100...+240
L	L=291... 436	L=436...581

Y	0 ... 14	0 ... 55
Z	37	78
	82	123

<b>Object:</b>			
<b>Customer:</b>			
<b>Order-Nr.:</b>		<b>Date:</b>	<b>Releasesignatur:</b>
Scale	Drawn	03.06.19	MURO
%	ok to print		
Operatorotyp : Execution:			
TORMAX 1201   1102 standard linkage 290mm/MDC			
 TORMAX a Division of LANDERT Group AG CH-8180 Bülach-Zürich			Document-Nr.: <b>T3-386-80</b>
			Index <b>C</b>