



# Sprint 24V - 230V

HYDRAULIC BARRIER FOR BEAMS UP TO 5 M



- Fast and reliable automatic hydraulic barrier. SEA TOTAL QUALITY: All main parts are manufactured and tested in the SEA plants. Longer life thanks to the operator working through oil and the inside lubrication of all the mechanical components
- Extremely silent thanks to hydraulic operating
- Adjustable mechanical limit switches. Also electronic limit switches on SPRINT24V and SPRINT 2L 230V (optional SPRINT 1L 230V)
- Cathaphoresis treated and polyester painted steel casing for long time lasting
- INOX (316) steel casing available. New cover for beam attachment for more security and a better design
- Oval aluminium beam with double protection rubber and optional LED lights KIT (CLEL 12715215 + TLED 12715216).
- Casing pre-drilled with holes for photocells SUNSET and key switch ASTER.
- Low voltage (24V) version for intensive use and possibility to add emergency batteries with solar panel KIT SUNNY (optional only for SPRINT230V)
- Control unit USER 1 24V DG for SPRINT 24V Control unit GATE 1 ROLL for SPRINT230V
- Available with oval articulated beam (LIGHTS ART up to max 3.5m)
- Available FAST SPRINT version for intensive use



By pass valves



Easy Key release system in the case of power failure



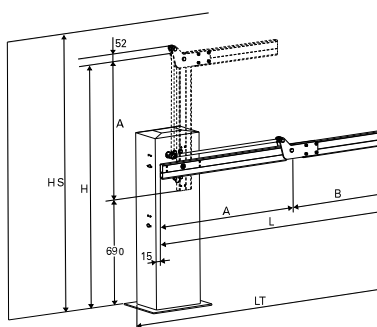
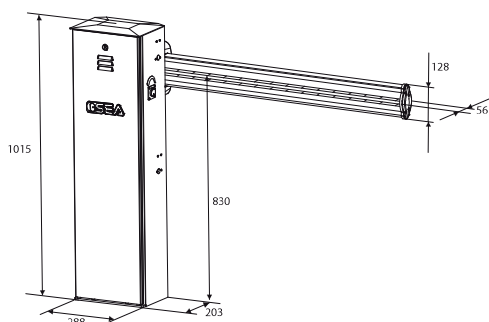
Led lights. Flashing light. Opening with key.



Case opening.

CODE	NAME	OPENING TIME	MAX BEAM LENGTH (m)	PUMP (l)	FREQUENCY OF USE (%)	PCS FOR PALLET
11703005	SPRINT 24V*	adjustable	5,0	-	90	8
11703000	SPRINT 230V 1 L	8 sec.	5,0	1,0	75	8
11703050	SPRINT 230V* 2 L	4,5 sec.	4,0	2,0	75	8
11703500	SPRINT FAST 2 L	2,0 sec.	3,0	2,0	90	8

\*Electronic limit switches for slow down function  
Foundation plate included. Round beam for SPRINT FAST  
On request stainless steel casing (1.100 Euros price increase)



**PACKAGE**  
**SPRINT 24V**

- N.1 Operator SPRINT
- N.1 Control unit USER 1 24V DG
- N.1 Installation accessories Kit
- N.1 Release Key
- N.1 Installation instructions and general notice
- N.1 Foundation plate
- N.1 Warning signboard

