

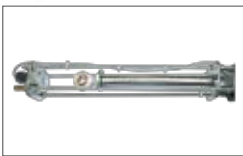


Half Tank

HYDRAULIC SWING GATE OPERATOR FOR CONDOMINIUM USE MAX LEAF LENGTH 7M



- Oil lubrication of all mechanical components
- Extremely silent and hydraulic reliability
- Anti crushing guaranteed through by-pass valves for max. thrust setting
- On request version with hydraulic slowdown only in closing or in opening/closing.
- Version (AC) with lock in closing and opening, (SB) only in closing), (SC) only in closing, (SA) only in opening or (SB) without lock
- 270mm or 390mm stroke.
- Optional mechanical - electronic stops Kit
- 20mm rod diameter
- Standard ball joint on all versions for precise adjustment of the stroke
- Aluminium standard oscillating back fixing fork
- PLUS metal release standard on 390 versions and optional on 270 versions



Internal mechanical and electronic stops kit for the optimal operation of limit switches (optional)



Metal release system PLUS, accessible through lock for max security (optional)



Round joint for stroke adjustment



On request versions with hydraulic slowdown for a smooth approach of the leaves in closing

CODE	NAME	MAX LEAF WEIGHT (KG)	MAX LEAF LENGTH (M)	MAX OPENING DEGREE	MAX CYCLES/HOUR	PCS FOR PALLETS
10401026	HALF TANK 270 AC	700	1,8	120°	55	40
10431006	HALF TANK 270 SC	700	1,8	120°	55	40
10411011	HALF TANK 270 SA	700	6,0	120°	55	40
10421026	HALF TANK 270 SB	700	6,0	120°	55	40
10401051	HALF TANK 270 DOUBLE AC	700	1,8	120°	55	12
10421041	HALF TANK 270 DOUBLE SB	700	6,0	120°	55	12
10501036	HALF TANK 390 AC*	700	2,2	120°	55	40
10531006	HALF TANK 390 SC*	700	2,2	120°	55	40
10511011	HALF TANK 390 SA*	700	7,0	120°	55	40
10521016	HALF TANK 390 SB*	700	7,0	120°	55	40

N.B: Double version include GATE 2 ROLL control unit + 433 MHz receiver and n° 2 HT LOCK PLUS metal release with lock
* With metal PLUS release

ACCESSORIES



12715105

PS270 Kit mechanical stop for HALF TANK 270



12715110

PS390 Kit mechanical stop for HALF TANK 390



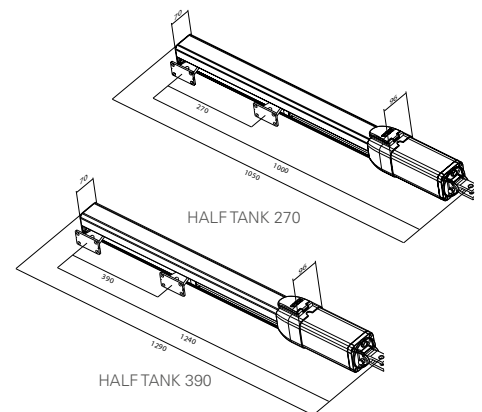
12710060

SECHT external release kit with box, lock and 2,5 m cable



12710345

HTLOCK metal release PLUS with lock



23105345(*)

SAFETYGATE linear encoder kit for 220V swing operator for control units with encoder management (side wall)



23105335

SAFETYGATE encoder kit for 220V swing operator for control units with encoder management



12715070

BRA Adjustable back bracket to screw n.2 pcs



65000045

OILH green oil for hydraulic motors (5 liters)



12710490

LSHT270 ki mechanical/electronic limit switch for HALF TANK 270



12710495

LSHT390 ki mechanical/electronic limit switch for HALF TANK 390



(*) in case of side wall