



Ger

ELECTROMECHANICAL, RESIDENTIAL SWING GATE OPERATOR FOR LARGE PILLARS AND LEAF LENGTH UP TO 3M



- Ideal for gates with large pillars
- Suitable for installations where the dimension between gate pivot and fixing wall is less than 38cm
- Release with personalized key
- Simple and quick installation
- Low tension version (24V) available for max. safety during operation and for easy adjustment of the approach speed and electronic obstacle detection
- Optional encoder kit for reversing on obstacle (220V)
- Optional stop micro-switch in opening and closing for quick and punctual leaf adjustment



Jointed arm



Internal foto

36

CODE	NAME	MAX LEAF WEIGHT (KG)	MAX LEAF LENGTH (M)	MAX OPENING DEGREE	MAX CYCLES/HOUR	PCS FOR PALLETS
1131023DX	GER DX*	400	3,0	125°	15	45
1131023SX	GER SX*	400	3,0	125°	15	45
1131024DX	GER 24V DX*	400	3,0	125°	15	45
1131024SX	GER 24V SX*	400	3,0	125°	15	45

* Without control unit with articulated arm

ACCESSORIES



23106305

BAT7
battery kit with box (7AH)



23106370(*)

Kit SUNNY
20W solar panel + control unit + battery



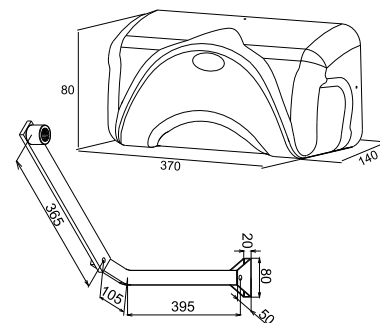
12710135

LSGER limit switch for GER motor 220V



11303005

ENCGER encoder kit for GER motor 220V



23101105

ESUN solar panel's control unit and battery -charger



NB: ESUN 23101105 to combine with BAT7 23106305