



Bull Hydro - Bull Fix

HYDRAULIC BOLLARD FOR TRANSIT AND PARKING AREAS AND FOR THE PROTECTION OF PUBLIC ACCESS



BULL HYDRO INOX



BULL HYDRO



BULL FIX



system of lights

- TOTAL SEA QUALITY
Bollard with hydraulic movement for max. silence and longer life produced inside the SEA plants.
- Compact version with incorporated hydraulic device for easy installation
- Easy release system with personalized key
- With lighting and sonorous system
- External control unit (SEA recommends GATE1 or GATE2) for BULL HYDRO
- Foundation box
- 5mm thickness
On request also with stainless steel cylinder
- Electro-valve for automatic descent in the case of power failure (optional)

76

CODE	NAME	PCS FOR PALLETS
12500005	BULL HYDRO complete with lights	4
12500006	BULL HYDRO INOX complete with lights	4
12500011	BULL FIX INOX 680X273mm with support base	8
12500010	BULL FIX 680X275 mm with support base	8

HYDRAULIC UNIT

Hydraulic pump capacity	4 l/min
Average operation pressure	2.2 MPA (22 bar)
Maximum pressure adjustment	4.5 MPA (45 bar)
Operation temperature	-20°C + 55° C
Hydraulic oil	SEA
Protection class	IP55

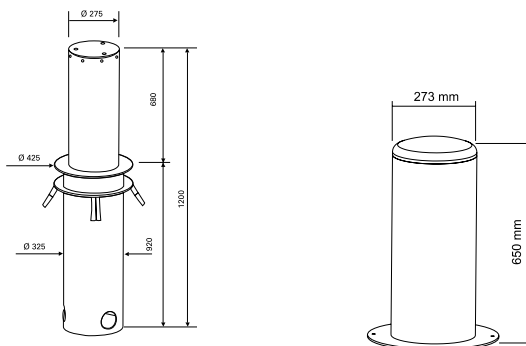
ELECTRIC MOTOR

Power Supply	230V - 50 Hz	30%
Motor Current	1.65 A	30%
Motor Power	330 W	30%
Capacitor	12.5 mF	30%
Rotation speed	2800 rpm	30%

FREQ. OF USE

HYDRAULIC PISTON

Exit time of the rod	6 sec.
Rod effective stroke	720 mm
Rod diameter	16 mm
Piston diameter	30 mm
Max traction force during rod exit	275 kg
Max traction force during rod re-enter	147 kg
Power supply obstruction light (led)	24V
Shock resistance	9.000 Joule
Crashing resistance	120.000 Joule



MOUNTING ACCESSORIES

Release key
Mounting instructions



23105151

WLIGHT with red /green lights



12710360(*)

ZK Foundation with plate rag bolts



66201286

RAL Supplement RAL(grey anthracite)



12710350

CARBULL Vehicle manhole cover (550x550 mm)



12710376

BOX BULL Foundation form and rag bolts (1m)

PACKAGE

BULL

N.1 BULL operator complete with hydraulic unit, piston, lights kit and 10m connected cables

The standard installation: BULL+ZK or BULL+ BOX BULL

*Obliged accessories (ZK foundation plate or BOX BULL complete)

Eletrovalve EVALV cod.12710520 (price 445,00 euro) is mounted by SEA

N.B. The FIXED BULL comes with base which can be fixed on the foundation plate with rag bolts for more stability.